

HN-PJP20A

I Uni-Directional Projection Speaker

HN-PJP20A is uni-directional projection speaker in strong plastic cabinet and metal grille. It is 20W, cost-efficient speaker, provides high sound output in a wider area. It is a full range speaker for speech and music in various indoor and outdoor application such as department stores, schools, offices, stadium, metro station etc.



ABOUT THE PRODUCT

The speaker enclosure is fully made with ABS with glossy finish and metal grille.

CERTIFICATIONS AND APPROVAL

CE Complied/IP 65

FEATURES AND BENEFIT



**HIGH IMPACT FIRE
RESISTANCE ABS MATERIAL**



**LOWER
MAINTENANCE COST**



**RUST & CHEMICAL
RESISTANT**

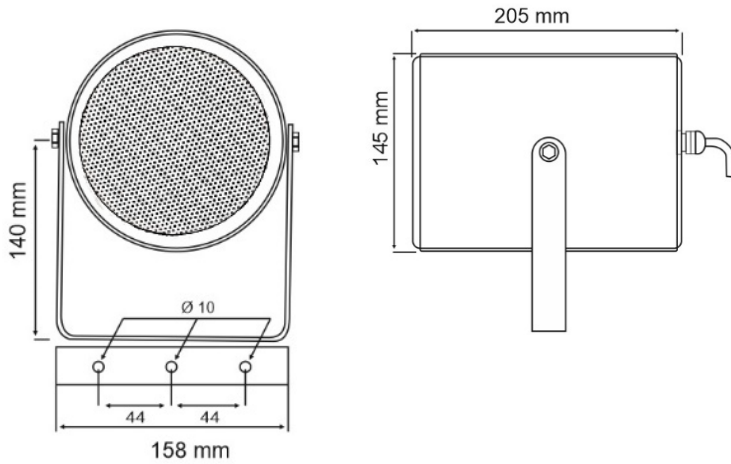


**WATER AND DUST
PROTECTED IP 65**

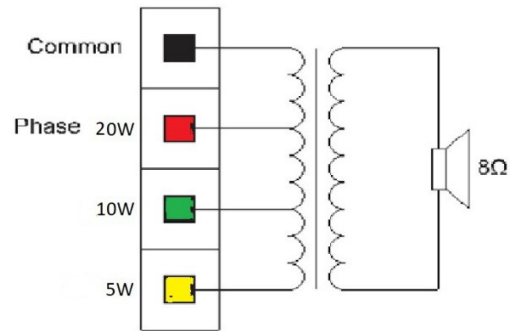
INSTALLATION DETAILS/DIMENSIONS

HN-PJP20A is a uni-directional projection speaker which can be used to easily adjustable mounting brackets in any surface to accurately direct the sound beam. It has three power tapings (20/10/5W) with built-in 100V transformer.

DIMENSIONS



Circuit Diagram:



TECHNICAL SPECIFICATIONS

| SYSTEM PERFORMANCE | |
|-----------------------------|---|
| Frequency Range (-10dB) | 120Hz – 15KHz |
| Nominal Dispersion | 120° |
| Rated Impedance | 500 Ω/ 1 KΩ |
| Long-Term Power Handling | 20 W (30W peak) |
| Sensitivity (SPL / 1 W @1m) | 91 dB SPL |
| Maximum SPL @1m | 104 dB SPL |
| Rated Input Voltage | 100V |
| Transformer Taps (100V) | 20 W/ 10W/ 5 W |
| PHYSIC | |
| Driver Compliment | 4.5" (114mm) full-range driver |
| PHYSIC | |
| Enclosure | ABS |
| Environmental | Outdoor uses./IP 65 |
| Connectors | Cable |
| Suspension/Mounting | U Shape mounting clamp is fixed in loudspeaker and can be mount easily on any wall with 3 holes in clamp. |
| Dimensions | Length- 205mm Cabinet Dia- 145mm |
| Color | White(RAL 9003) |
| Net Weight | (1.38kg) |

For more information,

www.honeywellbuildings.in

Call: 000-8000-502167

Email: HBT-IndiaBuildings@Honeywell.com

Honeywell HBT India Buildings

Unitech Trade Center, 5th Floor, Sector-43,

Block C, Sushant Lok Phase - I,

Gurgaon - 122 002.

HN-PJP20A | 01 | 09/21
© 2021 Honeywell International Inc.

THE
FUTURE
IS
WHAT
WE
MAKE IT

Honeywell