

L-VJM20A

ALUMINIUM

UNIDIRECTIONAL

PROJECTION

LOUDSPEAKER

- Intelligible voice and superior sound reproduction
- Ceiling or wall mount
- Meets virtually any outdoor requirement
- EN54-24 certified
- Complies with IP65 standard
- Available with or without capacitor(part number without "C")



PRODUCT DESCRIPTION

L-VJM20A/EN is a high-performance 20W voice alarm unidirectional projection loudspeaker. It provides a broad frequency response range, low distortion and high sound pressure level for accurate and intelligible broadcast of evacuation messages and high quality sound reproduction. It can be used in indoor, outdoor, dry, or wet applications, providing reliable operations over wide temperature and humidity ranges.

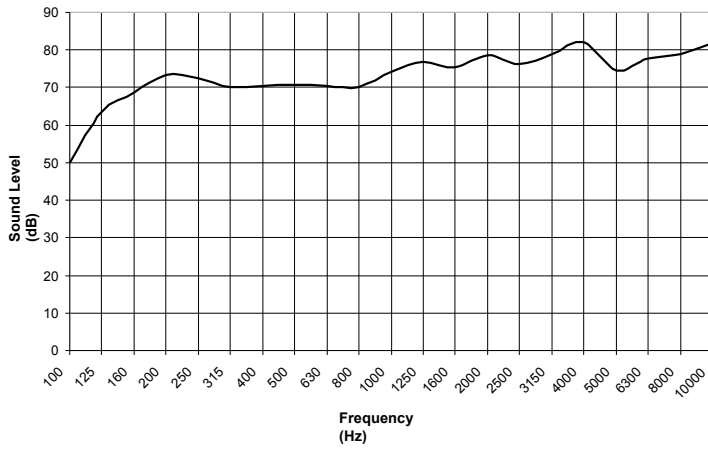
Its low-profile, white color design blends easily with most interiors in locations such as hotels, conference rooms, cinemas, theme parks, factories and exhibitions. This voice alarm unidirectional projection loudspeaker complies with BS5839 part 8 and EN54 part 24.

Technical Specification

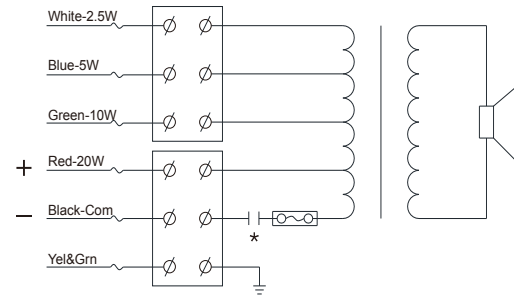
Max power	30 W
Rated power	20 W
Power taps @ 100V	20 W / 10 W / 5 W / 2.5 W
SPL at 20W/1W (100Hz-10KHz, 1m)	101 dB / 89 dB
SPL at 20W/1W (100Hz-10KHz, 4m)	89 dB / 77 dB
Frequency response (-10 dB)	150 Hz -20 KHz
Rated impedance	500 Ω 1 KΩ 2 KΩ 4 KΩ

Rated input voltage	100 V / 70 V
Connector	Fire-resistant cable
Dimensions (D x L)	Φ140 × 195 mm
Weight	2.65 Kg
Color	White(RAL9003)
Material	Aluminum
DC Blocking Capacitor	Yes (2.7uF) L-VJM20A/EN(C)
	No L-VJM20A/EN

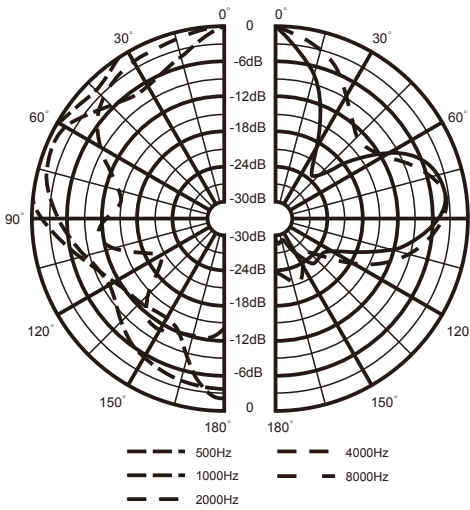
Frequency Response



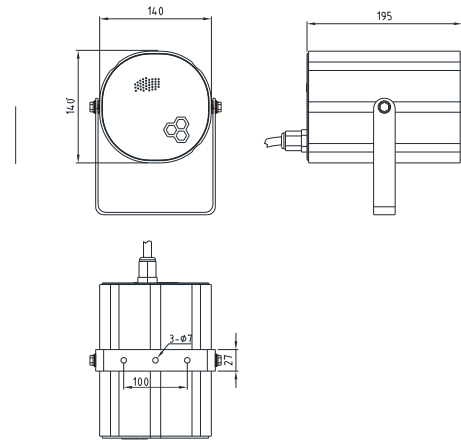
Circuit Diagram



Polar Diagram



Three-View Diagram



For more information,

<https://honeywellbuildings.in>

Call: 1-800-103-0339

Email: HBT-Indiabuildings@honeywell.com

Honeywell HBT India Buildings

Unitech Trade Center, 5th Floor, Sector-43,
Block C, Sushant Lok Phase - I,
Gurgaon - 122 002

www.honeywell.com

© 2020 Honeywell International Inc.

L-VJM20A
ALUMINIUM
UNIDIRECTIONAL
PROJECTION LOUDSPEAKER

Honeywell