

L-PWP06A

ABS

CABINET LOUDSPEAKER

- Superb audio and music reproduction performance
- High-impact fire resistant ABS cabinet
- Simple power setting
- Easy installation and cost effective
- CE and RoHS complied



PRODUCT DESCRIPTION

L-PWP06A is a 6W, high-impact ABS cabinet loudspeaker finished in a lowprofile white color. The stylish and innovative design is well received by general public. It is suitable for applications in various environments such as shopping malls, educational institutes, office buildings, hotels and restaurants.

The loudspeaker has a high quality cone, which provides exceptional audio performance and ensures a longer operating life. The quick and simple installation saves time and cost. The loudspeaker is CE and RoHS complied.

Technical Specification

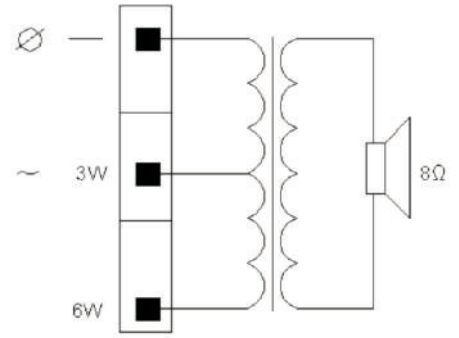
Max power	9 W
Rated power	6 W
Power taps @ 100V	6 W / 3 W
Power taps @70V	3 W / 1.5 W
SPL at 6W / 1W (250Hz-20kHz, 1m)	96 dB / 90 dB
Frequency range (-10dB)	200 Hz - 20k Hz
Dispersion angle (1KHz / -6dB)	120 °
Rated impedance	1.7k Ω / 3.3k Ω

Rated input voltage	100 V / 70 V
Connector	Cable
Dimensions (W×H×D)	260 × 162 × 77 mm
Diameter of speaker	5.5"
Weight	1 kg
Color	White (RAL9003)
Weight of magnet	115 g

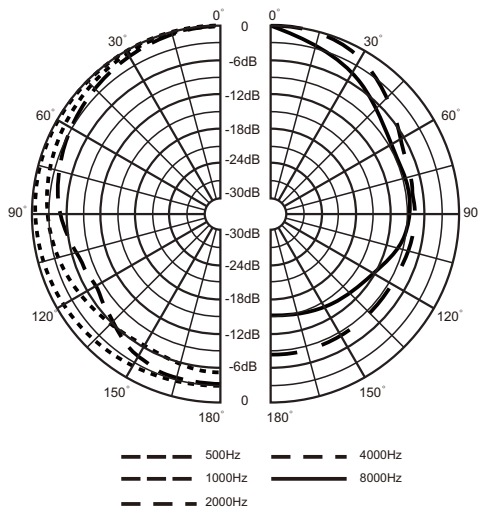
Frequency Response



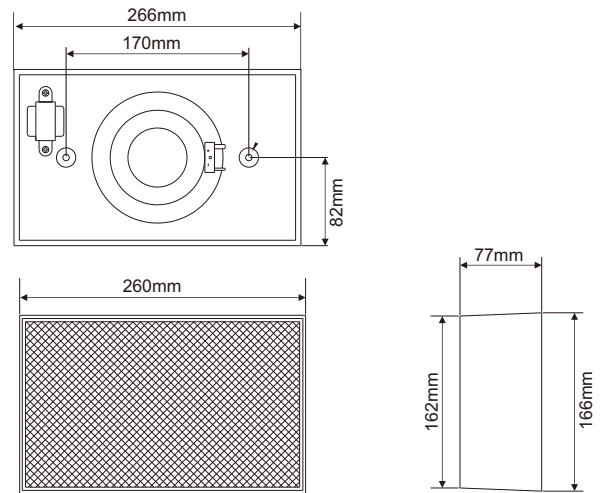
Circuit Diagram



Polar Diagram



Three-View Diagram



For more information,
<https://honeywellbuildings.in>
 Call: 1-800-103-0339
 Email: HBT-Indiabuildings@honeywell.com

Honeywell HBT India Buildings
 Unitech Trade Center, 5th Floor, Sector-43,
 Block C, Sushant Lok Phase - I,
 Gurgaon - 122 002

www.honeywell.com

© 2020 Honeywell International Inc.

L-PWP06A
ABS
CABINET LOUDSPEAKER

Honeywell