

# 4XD125B VARIODYN D1 POWER AMPLIFIERS

- Power amplifier 4-channel, Class D, 100 V outputs
- Efficiency higher than 80 %
- Emergency power supply 24 V DC
- Control and monitoring by DOM
- Integrated electronic protection against thermal overload and short-circuit on the output
- EN 54-16 compliant



## Application

The power amplifiers have four independent amplifier channels (100 V) and are compatible with the VARIODYN D1 system. The power amplifiers are controlled and monitored by the VARIODYN D1 modules Comprio, DOM4-8 or DOM4-24

## NF- / Control input

The NF inputs and the control inputs are connected to the VARIODYN D1 module DOM with the input cable.

## 100 V outputs

The symmetric, unearthed 100 V outputs are accessible on the "OUTPUT 100 V" terminal block.

The 100 V outputs are connected to the VARIODYN D1 module DOM with the output cable.

If any of the integrated cooling units reaches a critical temperature, the load per relay is disconnected on this channel and then connected back again when it reaches a safe temperature level.

## Mains connection, battery connection

A cooling unit socket is located on the rear side of the amplifier for the mains connection and a mains fuse. A power supply cable is included. The final stage may be driven only by a three-wire power cable with a ground wire.

The 24 V emergency power supply is connected to a 2-pole socket provided for this purpose.

### Connections

- Combined NF- / Control input
- Four-channel 100 V output
- 230 V AC power supply connection
- 24 V DC emergency power supply

### General display elements

- 230 V AC mains voltage
- CPU status
- Collective alarm
- 24 V DC emergency power supply

### Display elements per amplifier channel

- Operation
- Amplifier channel status
- Amplifier channel error
- Clip display

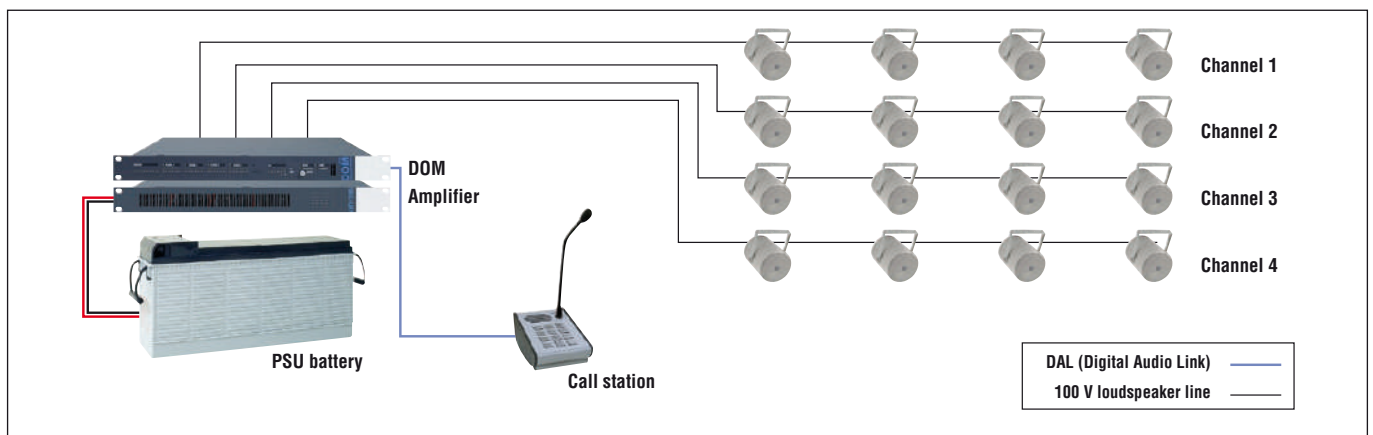
## Technical Specifications

Type	4XD125
Nominal output power (sin.)	4 x 125 W
Power consumption (230VAC)	2.8 A
Power consumption (24VDC / continuous sine tone*)	25 A
Power consumption (24 V DC / Voice announcement / 1/3 load)*	8.75 A
Power consumption (24 V DC / Voice announcement / 1/8 load)*	3.6 A
Power consumption in standby mode (230 V mains)	appr. 0 VA isolated from mains
Power loss / 230 V AC (idle)	25 W max.
Power loss / 24 V DC (channels off)	3 W max.
Power loss / 24 V DC (channels on)	10 W max.
Weight:	appr. 8 kg
Rated voltage	230 V AC
Rated frequency	50 to 60 Hz, +10 % / -5 %
Dimensions 4XD125 (W x H x D)	483 x 44 x 402 mm / 1 HU, 19"

Emergency power supply	24 V DC
Operating principle	Class D
Transmission frequency band (-1 dB)	50 Hz to 22 kHz
Signal to noise ratio	>90 dB, A - weighted
Distortion factor at max. load / 1kHz	< 0.03 %
Channel separation	>42 dB
Input impedance	>20 kΩ, el. symmetrical
Ambient temperature during operation	-5 °C to +55 °C
Rel. humidity	40 % to 93 %, (non-condensing)
Housing color	gray, similar to RAL 7016
Dimensions 4XD250 (W x H x D)	483 x 88 x 402 mm / 2 HU, 19"

## Ordering Information

Description	Part No.
Power amplifier 4 x 125 W / 100 V	580242



System overview / Connection of the 4-channel power amplifier with DOM4-24

### For more information,

<https://honeywellbuildings.in>

Call: 1-800-103-0339

Email: HBT-Indiabuildings@honeywell.com

### Honeywell HBT India Buildings

Unitech Trade Center, 5th Floor, Sector-43,

Block C, Sushant Lok Phase - I,

Gurgaon - 122002