

2XD250 VARIODYN D1 POWER AMPLIFIERS

- Power amplifier 4-channel, Class D, 100 V outputs
- Two models available: 2 x 250 W / 2 x 400 W
- 80% efficiency factor
- 24 V DC emergency power supply
- Control and monitoring via DOM
- Integrated electronic protection against thermal
- overload and short-circuits during output
- EN 54-16-approved, CPD Number 0786-CPD-20997
- VdS-approved, VdS Number G210122



Application

The power amplifiers have two independent amplifier channels and 100V toroidal core output transformers and are compatible with the VARIODYN® D1 System. The power amplifiers are controlled and monitored by the VARIODYN® D1 DOM4-8(Digital Output Module) and DOM4-24 modules.

NF- / Control input

Both LF inputs and the control input are connected to the VARIODYN® D1 DOM module via a cable (Part No. 583476.02.)

100 V outputs

The symmetrical ungrounded 100 V outputs are available at the connector labeled "OUTPUT 100 V".

The two 100 V outputs are connected to the VARIODYN® D1 DOM module using a cable (Part No. 583476.02).

In the event that the included heat sink reaches a critical temperature, the relay load for this channel is disconnected and then reconnected upon reaching a safe temperature.

Power Connection, Battery Connection

A low power socket for the connection of the mains voltage as well as a mains fuse are located on the back of the amplifier. A mains cable is included with delivery. The power amplifier can only be operated via a three wire system feed with a protective ground wire.

The 24 V emergency (uninterrupted) power supply (UPS) is connected to a corresponding 2-pin plug.

Connections

- Combined LF / control inputs
- Dual-channel 100 V output
- 230 V AC Power supply
- 24 V DC emergency power input

General display elements

- 230 V AC mains voltage
- CPU status
- Collective alarm
- 24 V DC emergency power supply

Indicators per amplifier channel

- Operation
- Amplifier channel status
- Amplifier channel fault
- Clip display

Technical Specifications

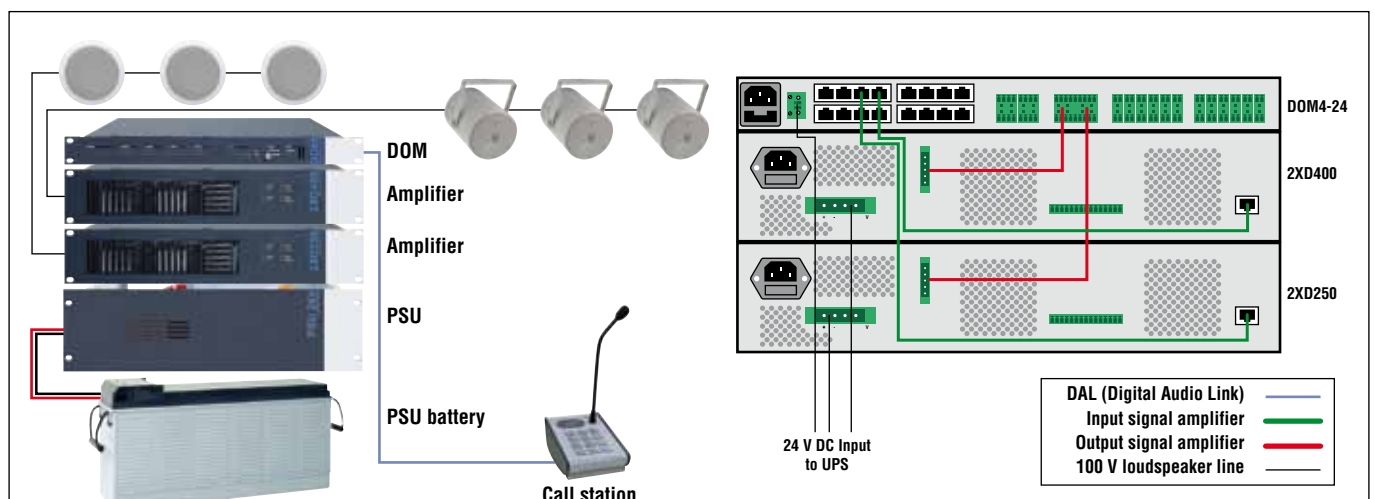
Type	2XD250
Rated power output (sin.)	2 x 250 W
Voltage consumption (230VAC)	2.8 A
Voltage consumption (24V DC / Sinus continuous tone*)	25 A
Voltage consumption (24 V DC / announcement / 1/3 load)*	8.75 A
Voltage consumption (24 V DC / Announcement / 1/8 load)*	3.6 A
Power consumption in standby mode (230 V)separated f. mains supply	approx. 0 VA
Dissipation loss / 230 V AC (Idle)	25 W max.
Dissipation loss / 24 V DC(channels off)	3 W max.
Dissipation loss / 24 V DC (channels on)	10 W max.
Weight	approx. 16.5 kg
Nominal voltage	230 V AC
Nominal frequency	50 to 60 Hz, +10% / -5%

Emergency power supply	24 V DC
Functional principle	Class D
Transmission frequency band (-1dB)	50 Hz to 22 kHz
Signal-to-noise ratio	>90 dB, A - unweighted
Harmonic distortion at full load / 1 kHz	< 0.03 % Channel separation > 42 dB
Input impedance	>20 kΩe l. balanced
Ambient temperature during operation	-5 °C to +55 °C
Relative humidity	40% to 93%, (no condensation)
Housing color	gray, similar to RAL 7016
Dimensions (B x H x T)	483 x 88 x 402 mm / 2 HU, 19"

*The voltage consumption is for both amplifier channels together when both outputs are wired with maximum speaker power (2 x 250 W or 2 x 400 W).

Ordering Information

Description	Part No.
Power Amplifier 2 x 250 W / 100 V	580231
DOM-XV cable for amplifier audio inputs and remote control	583491
XV-DOM cable for amplifier and audio outputs (for 2 amplifiers)	583477.21



System Overview/ Cabling for 250 W and 400 W Power Amplifiers with DOM4-24

For more information,

<https://honeywellbuildings.in>

Call: 1-800-103-0339

Email: HBT-Indiabuildings@honeywell.com

Honeywell HBT India Buildings

Unitech Trade Center, 5th Floor, Sector-43,

Block C, Sushant Lok Phase - I,

Gurgaon - 122002

www.honeywell.com

© 2020 Honeywell International Inc.

2XD250
VARIODYN D1 PAGING
POWER AMPLIFIERS

Honeywell