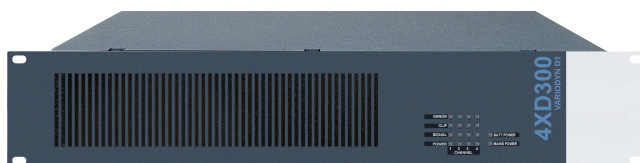


4XD300 VARIODYN D1 POWER AMPLIFIERS

- Power amplifier 4-channel, Class D, 100 V outputs
- Two models available: 4 x 300 W / 4 x 500 W
- Efficiency higher than 80 %
- Emergency power supply 24 V DC
- Control and monitoring by DOM
- Integrated electronic protection against thermal overload and short-circuit on the output
- EN 54-16 compliant



Application

The power amplifier has four independent amplifier channels (100 V) and is compatible with the VARIODYN D1 system. The power amplifier is controlled and monitored by the VARIODYN D1 modules DOM4-8 or DOM4-24 (Digital Output Module).

NF- / Control input

The NF inputs and the control inputs are connected to the VARIODYN D1 module DOM with the input cable.

100 V outputs

The symmetric, unearthed 100 V outputs are accessible on the "OUTPUT 100 V" terminal block.

The 100 V outputs are connected to the VARIODYN D1 module DOM with the output cable.

If any of the integrated cooling units reaches a critical temperature, the load per relay is disconnected on this channel and then connected back again when it reaches a safe temperature level.

Mains connection, battery connection

A cooling unit socket is located on the rear side of the amplifier for the mains connection and a mains fuse. A power supply cable is included. The final stage may be driven only by a three-wire power cable with a ground wire.

The 24 V emergency power supply is connected to a 2-pole socket provided for this purpose.

Connections

- Combined NF- / Control input
- Four-channel 100 V output
- 230 V AC power supply connection
- 24 V DC emergency power supply

General display elements

- 230 V AC mains voltage
- CPU status
- Collective alarm
- 24 V DC emergency power supply

Display elements per amplifier channel

- Operation
- Amplifier channel status
- Amplifier channel error
- Clip display

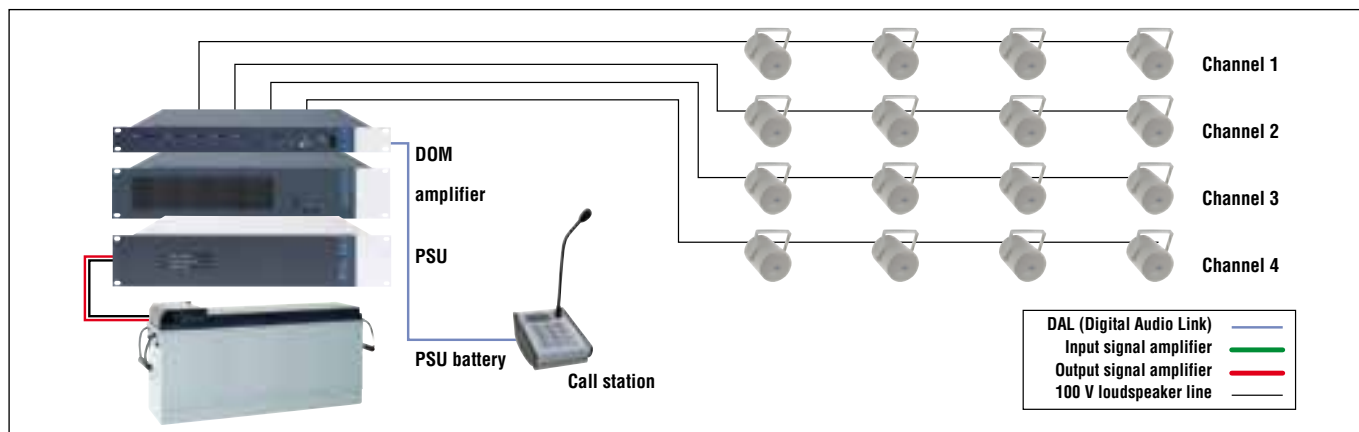
Technical Specifications

Type	4XD300
Nominal output power (sin.)	4 x 300 W
Power consumption (230V AC)	9.7 A
Power consumption (24V DC / music / 1/3 load)	25.9 A
Power consumption (24 V DC / speech / 1/8 load)	12.5 A
Channel separation	> 94 dB
Power consumption in stand-by mode (230 V AC)	0.5A
Rated voltage	230 V AC
Rated frequency	50 to 60 Hz, +10% / -5%
Operating principle	Class D
Transmission frequency band (-1 dB)	20 Hz to. 20 kHz
Distortion factor at max. load / 1kHz	< 0.03 %

Input impedance	> 20 kΩ, el. symmetrical
Ambient temperature during operation	-5 °C to +55 °C
Rel. humidity	40 % to 93 %, (w/o condensation)
Housing color	gray, similar to RAL 7016
Weight:	ca. 14 kg
Dimensions 4XD250 (W x H x D)	483 x 88 x 454 mm / 2 HU, 19"

Ordering Information

Description	Part No.
Power amplifier 4 x 300 W / 100 V	580248
Backup cable RC 44	583444
Input cable DOM amplifier (2 x required)	583491
Output cable 4XV amplifier DOM	583477.21



System overview / Connection of the 4-channel power amplifier with DOM4-24

For more information,

<https://honeywellbuildings.in>

Call: 1-800-103-0339

Email: HBT-Indiabuildings@honeywell.com

Honeywell HBT India Buildings

Unitech Trade Center, 5th Floor, Sector-43,

Block C, Sushant Lok Phase - I,

Gurgaon - 122002