

## HEIPTZ-2201W-IR

[www.asia.security.honeywell.com](http://www.asia.security.honeywell.com)

### 1080P 30X IP PTZ Explosion-Proof Camera with IR Illuminator

Honeywell HEIPTZ-2201W-IR is an IP explosion-proof PTZ camera featuring superior 1080P high definition image quality, Wide Dynamic Range (WDR), True Day/Night (TDN), a built-in IR illuminator, and ATEX certified construction. This advanced IP camera is designed for installation in potentially explosive atmospheres, such as petrochemical fields, oil refineries, LNG facilities and so forth.

The HEIPTZ-2201W-IR delivers high definition images of 1080P (1920 x 1080) resolution at up to 30 frames per second. Its 360 ° continuous rotation and 30x zoom lens deliver a full picture of the area under surveillance in optimal width and depth.

With 80-meter IR distance, the IR illuminator of the HEIPTZ-2201W-IR is assembled for providing clear images for surveillance in dim environments and at complete darkness. Also featuring WDR and TDN, the HEIPTZ-2201W-IR is capable to adapt to various lighting conditions which guarantees superior image quality any time.

By applying the H.264 video compression technology, the HEIPTZ-2201W-IR streams high quality images at optimized bandwidth which reduce data volume effectively to save storage space.

The 316L stainless steel construction is complied with international explosion protected equipment standards ATEX. It also meets IP68 waterproof standard to make the HEIPTZ-2201W-IR an ideal camera for even the most hazardous locations. Also equipped with a built-in heater to prevent condensation and a wiper for cleaning the viewing glass, this IP explosionproof camera ensures clear and detailed images to be captured at all time.

### Market Opportunities

With a rigid stainless steel ATEX certified construction, the HEIPTZ- 2201W-IR explosion-proof PTZ camera delivers a high-definition 1080P video surveillance solution for security applications used in potentially explosive atmospheres. Also featuring 30x zoom, True Day/Night, Wide Dynamic Range, H.264 compression and ONVIF standard, the HEIPTZ-2201W-IR provides optimum surveillance performance in oil refineries, chemical plants, coal mines, marine applications and so on.



## HEIPTZ-2201W-IR

[www.asia.security.honeywell.com](http://www.asia.security.honeywell.com)

---

### 1080P 30X IP PTZ Explosion-Proof Camera with IR Illuminator

#### FEATURES

- Stainless steel 316L construction
- ATEX II 2 GD; Exd IIC T6 Gb, Ex t IIIC T80° C Db
- Waterproof IP68 rating
- 1080P resolution at up to 30 fps
- 0.01° ~30° per second variable speed in horizontal and vertical
- 360° continuous pan rotation
- -90° to +90° tilt range
- $\pm 0.1^\circ$  positioning accuracy in horizontal and vertical
- 30x optical zoom
- 80m reachable infrared illuminator
- True Day/Night with IR-cut filter; Wide Dynamic Range
- Multiple H.264 streams and MJPEG streams ensure simultaneous real-time monitoring and high resolution recording
- H.264 main profile helps save network bandwidth and storage resources
- Built-in wiper on the lens cover to remove condensed water
- Built-in heater to prevent condensation
- Optional washer pump kit HEWJ400 available
- IP platform: Honeywell Universal Surveillance (HUS), MAXPRO NVR, DVM
- ONVIF compliance

## HEIPTZ-2201W-IR

www.asia.security.honeywell.com

### 1080P 30X IP PTZ Explosion-Proof Camera with IR Illuminator

#### Specifications

| PTZ System              |  |
|-------------------------|--|
| Pan Angle               | 0 - 360° continuous rotation   |
| Tilt Angle              | -90° ~ 90°   |
| Pan Speed               | 0.01° to 30° /sec variable-speed operation   |
| Tilt Speed              | 0.01° to 30° /sec variable-speed operation   |
| Zoom                    | 30X optical zoom   |
| Scan Speed              | Configurable between 0.01° and 30° /sec  |
| PTZ Tours (Pattern)     | 2 patterns   |
| Preset Speed            | 30° /sec   |
| Preset Positions        | 128  |
| Illuminator             | Infrared, 80m reachable  |
| Video                   |  |
| Image Sensor            | 1/2.8" Progressive Scan CMOS   |
| Lens                    | 4.5 - 135 mm vari-focal motorized lens, 30 x   |
| Effective Pixels        | 1920 (H) x 1080 (V)  |
| Min. Illumination       | 0.1 Lux (Color); 0.005 Lux (B/W); 0 Lux (B/W, IR on)   |
| Day/Night               | TDN  |
| S/N Ratio               | ≥ 50dB   |
| Shutter Speed           | 1 - 1/10000 sec  |
| Focal Length            | F4.5 - 135mm   |
| Aperture Range          | F1.6 - F3.5  |
| Wide Dynamic Range      | ON/OFF   |
| Digital Noise Reduction | High / Mid / Low / Off   |
| Video Output            | YUV422 (Y8bit + C8bit); TU-R BT, 709; TU-R BT, 1120 compliance   |
| Video Standard          | PAL, NTSC  |
| Automatic Lens Control  | Auto focus, Auto Iris  |
| Gain Control            | Automatic/OFF  |
| Angular Field of View   | 67.8° (w) - 2.77° (t)  |
| White Balance           | Auto / Indoor / Outdoor  |
| IP Specification        |  |
| Video Compression       | H.264 / MJPEG  |
| Image Resolution        | Main stream:<br>1080P (1920 x 1080), 720P (1280 x 720), Q1080P (960 x 544)<br>Second stream:<br>720P (1280 x 720), Q1080P (960 x 544), D1 (720 x 576), VGA (640 x 480), Q720P (640 x 360), CIF (352 x 288), QVGA (320 x 240), QCIF (176 x 144) |
| Bit Rate                | 16kbps - 8Mbps continuously adjustment; CBR/VBR  |
| Supported Protocol      | TCP/IP, UDP, RTP, RTSP, RTCP, HTTP, DNS, DDNS, DHCP, FTP, NTP, PPPoE, SMTP, UPNP   |
| Security                | Password protection, IP address filtering, User access log   |
| User                    | 4 simultaneous unicast users   |
| Communication Protocol  | ONVIF Profile S  |
| Alarm                   |  |
| Alarm Trigger           | Intelligent video motion detection   |
| Alarm Event             | Event server: FTP server, SMTP server, Web browser   |
| Electrical              |  |
| Power Supply            | 24V AC, ±25%   |
| Power Consumption       | 100W max   |
| Electrical Connections  | 1m pigtail wire harness with connections for power, network and earth  |

## HEIPTZ-2201W-IR

www.asia.security.honeywell.com

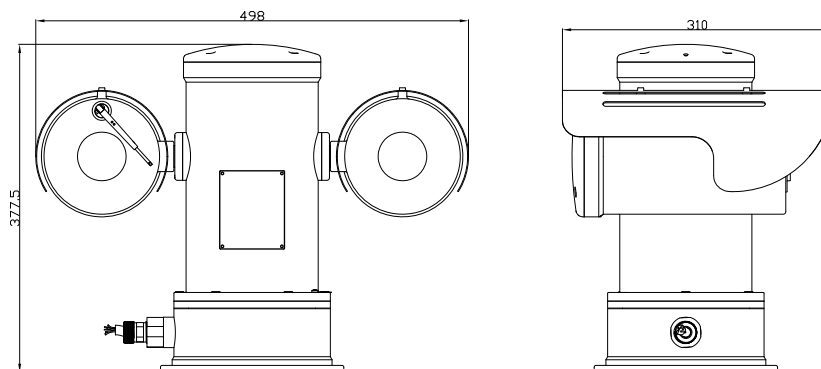
### 1080P 30X IP PTZ Explosion-Proof Camera with IR Illuminator

#### Specifications

| Mechanical            |  |
|-----------------------|--|
| Dimensions            | 498 (L) x 310 (W) x 377.5 H(mm)              |
| Weight                | 31kg   |
| Viewing Window        | Double-sided Nano filming tempered glass     |
| Construction          | Stainless steel 316L                         |
| Mounting              | Wall mount, pole mount                       |
| Installation          | Vertical                                     |
| Environmental         |  |
| Operating Temperature | -40° C to + 55° C                            |
| Protection Class      | IP68 waterproof                              |
| Viewing System        |  |
| Browser               | IE 8.0 or above                              |
| Media Player          | VLC, Real Player                             |
| Software              |  |
| Operating Platform    | HUS 4.3.0 or above, MAXPRO NVR 3.5, DVM R600 |
| Regulatory            |  |
| Certification         | CNEX, ATEX, IECEx, CCOE, CE, FCC             |

Note: Honeywell reserves the right, without notification, to make changes in product design or specifications.

#### Dimensions



Unit: mm

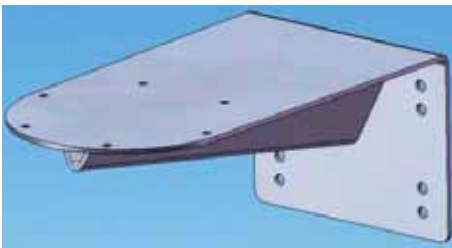
## HEIPTZ-2201W-IR

[www.asia.security.honeywell.com](http://www.asia.security.honeywell.com)

1080P 30X IP PTZ Explosion-Proof Camera with IR Illuminator

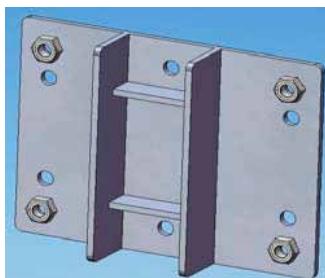
### ACCESSORIES

#### Wall Mount Bracket HEPTZE-WM



#### Pole mount bracket HEPTZE-PM

(to be installed with wall mount HEPTZE-WM)

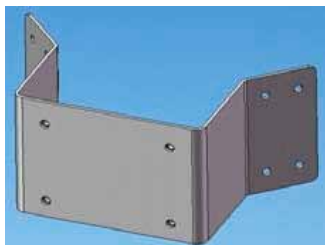


#### Pole Mount Bracket + Wall Mount Bracket

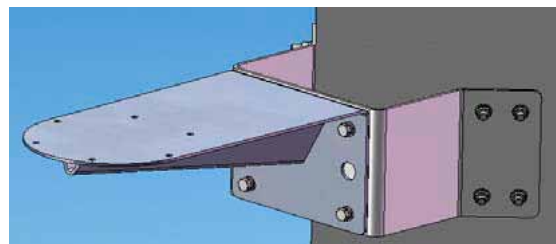


#### Corner mount bracket HEPTZE-CM

(to be installed with wall mount HEPTZE-WM)



#### Corner Mount Bracket + Wall Mount Bracket



# HEIPTZ-2201W-IR

www.asia.security.honeywell.com

## 1080P 30X IP PTZ Explosion-Proof Camera with IR Illuminator

### Ordering

|                 |  |
|-----------------|--|
| HEIPTZ-2201W-IR | 1080P Explosion-proof PTZ Camera, IR Illuminator, IP68, TDN, WDR, ONVIF                          |
| HEPTZE-WM       | Explosion-proof camera wall mount bracket with pan/tilt head, stainless steel 316L               |
| HEPTZE-PM       | Explosion-proof Camera pole mount bracket to be installed with HEPTZE-WM, Stainless Steel 316L   |
| HEPTZE-CM       | Explosion-proof camera corner mount bracket to be installed with HEPTZE-WM, stainless steel 316L |
| HEWJ400         | Explosion-proof Water washer pump kit  |

For more information:

Security Hong Kong / Macau  
Security Taiwan

Tel: (852) 2405 2323  
Tel: (886) 2 2245 1000

www.asia.security.honeywell.com  
security.hkmt@honeywell.com

**Honeywell Security & Fire**  
Honeywell International Inc.  
www.security.honeywell.com

Jan 2016  
© 2016 Honeywell International Inc.

**Honeywell**