



February 26, 1997

DN-65 • I-440

BNG & BRG Series Manual Fire Alarm Stations

Section: Conventional Initiating Devices

GENERAL

The BNG and BRG Manual Fire Alarm Pull Stations each provide a single-action, normally open contact, alarm initiating point for use with Fire Alarm Control Panels. The BNG Station is non-code, non-break-glass type. The BRG Station is non-code, break-glass type.

FEATURES

- Within ADA 5 lb. pull force.
- Sturdy metal construction.
- Simple operation.
- Operation does not require replacement of parts (BNG only).
- Drawing of flames on cover helps communicate purpose of this device to people who do not read.
- Designed to prevent false alarms when bumped, shaken or jarred.
- Spanish version (*FUEGO*) (BNG-1SP).
- Meets UL 38 Standard for manually actuated signaling boxes.

APPLICATIONS

Designed for indoor use in atmospheres which are not potentially explosive. Use as a means of allowing anyone on the premises to turn in non-coded alarm quickly without chance of error. There is no need for delay. There is no danger of giving incorrect or incomplete instructions. Typical users include:

1. Schools.
2. Hospitals.
3. Retail stores.
4. Industrial plants.
5. Warehouses.

Compatible with any appropriate control panel. May be used to:

1. Initiate local alarm signals.
2. Trip a municipal fire alarm box.
3. Start fire pumps.
4. Initiate other functions which can be initiated by the closing.

OPERATION

The stations are operated by a pull on the pull cover. This causes a key latch to act against a retaining mechanism until adequate force is applied to open the station. As the station opens, a switch is released to initiate an alarm. The retainer used in Model BRG is a glass rod. When operated, the cover hangs down (and cannot be made to stay in a closed position) indicating that the station was used to turn in the alarm. **OPERATED STATIONS CAN BE SEEN UP TO 100 FEET AWAY.** Resetting is easily accomplished using a reset key.



S692



CS119

(BNG-1RC only)



0A0A3.AY

MEA

38-93-E*

BSA

750-76-SA*

*See page 2.



California
State Fire
Marshal

7150-0028:003

ADA

Meets ADA Pull Force

*The BNG-1TSL
and BNG-1TSRL*



The attractive design of the station highlights its engineered simplicity and unusual dependability; bumping, shaking, or jarring will not activate the switch or circuit. Instructions for operation of the station are provided on the front of the pull cover. The BNG and BRG Stations are both die-formed from 1/8" thick satin-finish aluminum, with the operating instructions in raised letters. Stations come in surface mounting models only. BNG and BRG contacts are rated at: 1 amp., 30 VAC, and 30 VDC. The master key fits all stations used in an installation of the same series.

INSTALLATION

The station mounts with two screws (supplied) to a standard single-gang electrical switch box. It can also be mounted to a surface-mount box.

ARCHITECT/ENGINEERING SPECIFICATIONS

Manual Fire Alarm Stations shall be non-code, non-break-glass type, equipment with a key operated reset, and so designed that after actual Emergency Operation, they cannot be restored to normal except by use of a key. An operated station shall be designed such that upon activation,

This document is not intended to be used for installation purposes. We try to keep our product information up-to-date and accurate. We cannot cover all specific applications or anticipate all requirements. All specifications are subject to change without notice. For more information, contact NOTIFIER. Phone: (203) 484-7161 FAX: (203) 484-7118

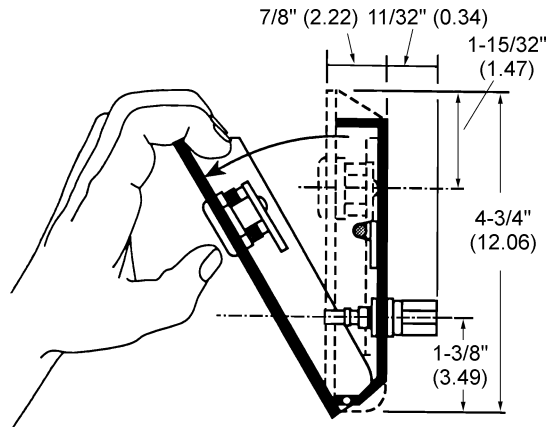


NOTIFIER

12 Clintonville Road, Northford, Connecticut 06472

ISO 9001
CERTIFIED
ENGINEERING & MANUFACTURING

BNG (pictured below) uses a tension spring as a retainer. BRG looks the same, except the retainer is a glass rod.



Overall dimensions of semi-flush mounted station:
3-1/4" (8.255 cm) wide x 4-3/4" (12.065 cm) high x
7/8" (2.222 cm) deep.



The DABC-SP

PHYSICAL DIMENSIONS

Length: 7.000 inches (17.64 cm)

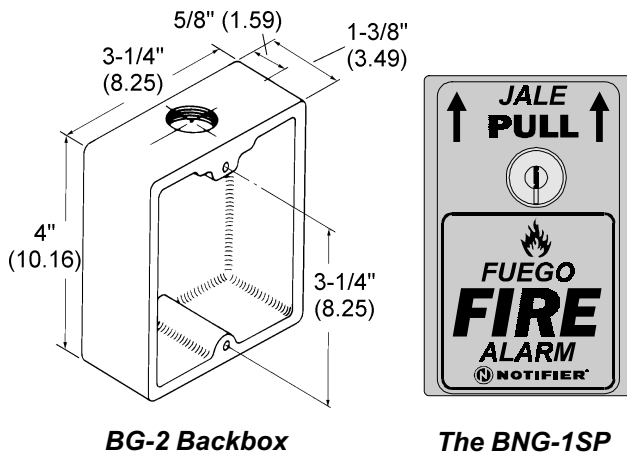
Width: 3.500 inches (8.82 cm)

Depth: 1.250 inches (3.15 cm)

DABC-SP BACK PLATE

Length: 9.650 inches (24.318 cm)

Width: 6.750 inches (17.01 cm)



BG-2 Backbox

The BNG-1SP

PRODUCT LINE INFORMATION

Model No.	Description
BNG-1*	Aluminum pull station with red lettering.
BNG-1TSL	Standard "LOCAL" style BNG-1 (aluminum) unit with terminal strip.
BNG-1TSRL	Standard "LOCAL" style BNG-1R (red) unit with terminal strip.
BNG-1SP*	Spanish aluminum pull station with red FUEGO (FIRE) and JALE (PULL) letters. UL listed (contact factory for current status of other listings and approvals).
BNG-1R**	Red aluminum pull station with silver lettering.
BNG-1RC***	Red aluminum pull station with silver English/French lettering — ULC listed.
BNG-1F**	Aluminum pull station with red lettering and DPDT switch.
BNG-1TS*	Aluminum pull station with red lettering and two-position, double-row terminal block.
BNG-1FTS*	Aluminum pull station with red lettering with DPDT switch and two-position, double-row terminal block.
BRG-1**	Aluminum pull station with red lettering and break-glass option.
BRG-1R**	Same as BRG-1, but painted red.
BG-2	Surface-mounting backbox for BNG/BRG Series stations. One end tapped for 1/2" conduit.
146-0601	Replacement glass retainer for BRG.
DABC	Second action cover for BNG.
DABC-SP	NYC back plate with second action cover.

* MEA 38-93-E

** BSA 750-76-SA

*** ULC CS119

it will be visually detectable at a minimum distance of one hundred feet, front or side. Manual stations shall be constructed of die-formed aluminum, with operating directions provided on the front cover in raised letters. Stations shall be suitable for surface mounting on a standard single-gang box or switch plate, and shall be installed 48" above the finished floor per ADA requirements. Manual stations shall be Underwriters Laboratories listed.

The DABC Double-Action Cover and DABC-SP adapter provide a simple and economical means to convert NOTIFIER single-action BNG-1 Manual Fire Alarm Stations into double-action units.

The purpose of these adapters is to deter false alarms caused by passersby who pull a station and continue on without stopping. Using the double-action adapter requires a person to stop and perform two distinct actions: lifting the cover and pulling the breakstation. Such action is sufficient to deter potential pranksters from initiating costly alarms.

The DABC -SP consists of a red and white BSA approved back plate and the cover assembly which fits over the BNG-1. The cover is hinged to a bracket with nylon bushings which form the cover housing. The DABC-SP back plate and cover housing are punched and drilled to accommodate field wiring and the mounting screws that secure the BNG-1 and adapter to a wall backbox.