

# Smart String Inverter



## Active Safety

AI Powered Arcing Protection



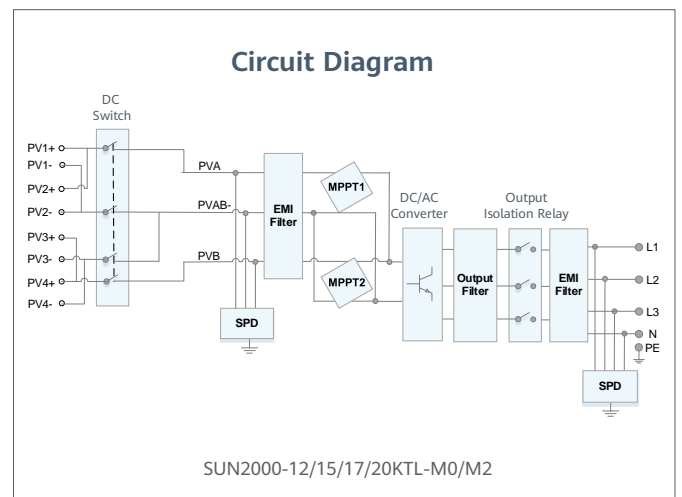
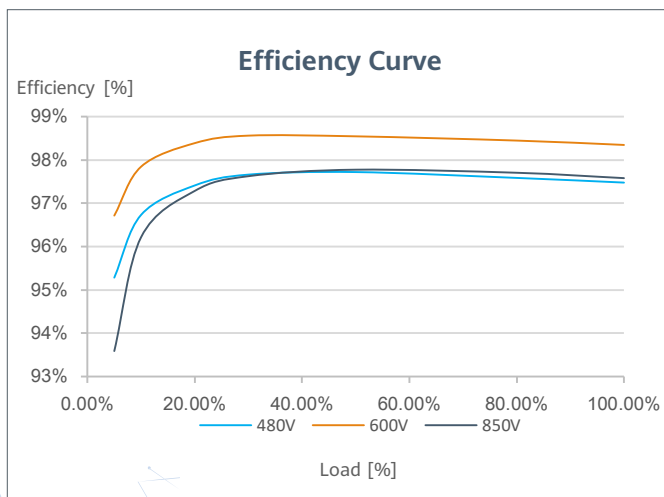
## Higher Yields

Up to 30% More Energy with Optimizer <sup>1</sup>



## Flexible Communication

WLAN, Fast Ethernet, 4G  
Communication Supported



<sup>1</sup> Only applicable to SUN2000-12/15/17/20KTL-M2 inverter.

# SUN2000-12/15/17/20KTL-M0 Technical Specification

Technical Specification	SUN2000 -12KTL-M0	SUN2000 -15KTL-M0	SUN2000 -17KTL-M0	SUN2000 -20KTL-M0
<b>Efficiency</b>				
Max. efficiency	98.50%	98.65%	98.65%	98.65%
European weighted efficiency	98.00%	98.30%	98.30%	98.30%
<b>Input</b>				
Recommended max. PV power	24,000 Wp	29,760 Wp	29,760 Wp	29,760 Wp
Max. input voltage <sup>1</sup>		1,080 V		
Operating voltage range <sup>2</sup>		160 V ~ 950 V		
Start voltage		200 V		
Rated input voltage		600 V		
Max. input current per MPPT		22 A		
Max. short-circuit current		30 A		
Number of MPP trackers		2		
Max. number of inputs		4		
<b>Output</b>				
Grid connection		Three phase		
Rated output power	12,000 W	15,000 W	17,000 W	20,000 W
Max. apparent power	13,200 VA	16,500 VA	18,700 VA	22,000 VA
Rated output voltage		220 Vac / 380 Vac, 230 Vac / 400 Vac, 3W + N + PE		
Rated AC grid frequency		50 Hz / 60 Hz		
Max. output current	20 A	25.2 A	28.5 A	33.5 A
Adjustable power factor		0.8 leading ... 0.8 lagging		
Max. total harmonic distortion		≤ 3 %		
<b>Features &amp; Protections</b>				
Input-side disconnection device		Yes		
Anti-islanding protection		Yes		
AC over-current protection		Yes		
AC short-circuit protection		Yes		
AC over-voltage protection		Yes		
DC reverse-polarity protection		Yes		
DC surge protection		Type II		
AC surge protection		Yes, compatible TYPE II protection class according to EN/IEC 61643-11		
Residual current monitoring unit		Yes		
Arc fault protection		Yes		
Ripple receiver control		Yes		
<b>General Data</b>				
Operation temperature range		-25 ~ +60 °C (-13 °F ~ 140 °F)		
Relative humidity		0 % RH ~ 100% RH		
Max. operating altitude		0 - 4,000 m (13,123 ft.) (Derating above 2000 m)		
Cooling		Natural Convection		
Display		LED indicators; integrated WLAN + FusionSolar APP		
Communication		RS485; WLAN/Ethernet via Smart Dongle-WLAN-FE (Optional) 4G / 3G / 2G via Smart Dongle-4G (Optional)		
Weight (with mounting plate)		25 kg		
Dimensions (W x H x D) (incl. mounting plate)		525 x 470 x 262 mm (20.7 x 18.5 x 10.3 inch)		
Degree of protection		IP65		
Nighttime Power Consumption		< 5.5 W		
<b>Standard Compliance (more available upon request)</b>				
Safety		EN/IEC 62109-1, EN/IEC 62109-2		
Grid connection standards		G98, G99, EN 50438, EN50549, CEI 0-21, CEI 0-16, VDE-AR-N-4105, VDE-AR-N-4110, AS 4777, C10/11, ABNT, UTE C15-712, RD 1699, RD 661, PO 12.3, TOR D4, IEC61727, IEC62116, DEWA		

\*1 The maximum input voltage is the upper limit of the DC voltage. Any higher input DC voltage would probably damage inverter.

\*2 Any DC input voltage beyond the operating voltage range may result in inverter improper operating.