

# Smart Energy Center (SUN2000)



reddot award 2016  
winner

## Higher Revenue

- High efficiency inverter topology
- Max. efficiency 98.6%
- European weighted efficiency 98.0%

## Simple & Easy

- 10.6kg, allows one person simple installation
- Optimized AC connector for quick wiring
- Support WLAN dual antenna or 4G/3G/2G communication, stable data transmission

## Safe & Reliable

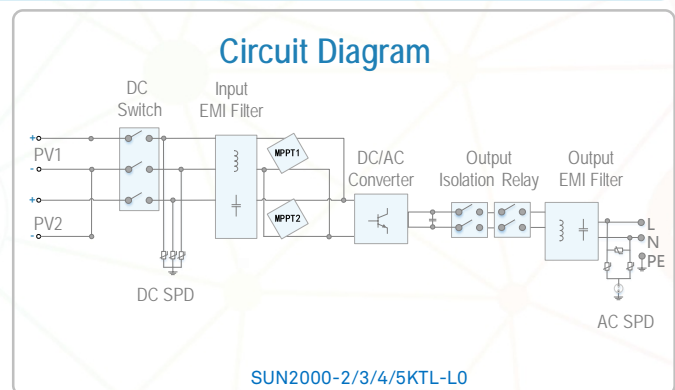
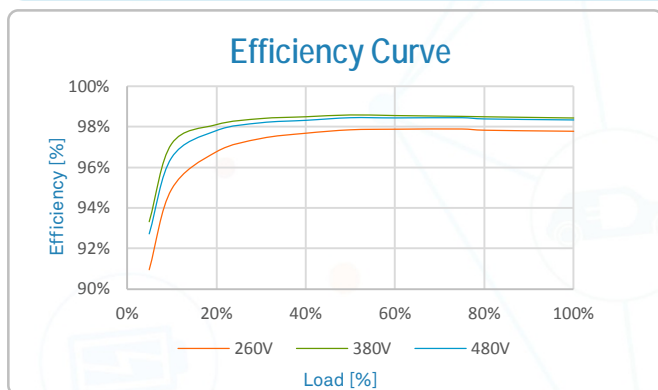
- IP65, natural convection
- Integrated lightning protection for both DC and AC

# SUN2000-2/3/4/5KTL-L0



Technical Specification	SUN2000-2KTL-L0	SUN2000-3KTL-L0	SUN2000-4KTL-L0	SUN2000-5KTL-L0
<b>Efficiency</b>				
Max. efficiency	98.4 %	98.5 %	98.6 %	98.6 %
European weighted efficiency	97.0 %	97.6 %	97.9 %	98.0 %
<b>Input</b>				
Recommended max. PV power	3,000 Wp	4,500 Wp	6,000 Wp	7,500 Wp
Max. input voltage	600 V			
Operating voltage range <sup>1</sup>	90 V - 600 V			
Start-up voltage	120 V			
Full power MPPT voltage range	120 V - 480 V	160 V - 480 V	210 V - 480 V	260 V - 480 V
Rated input voltage	380 V			
Max. input current per MPPT	11 A			
Max. short-circuit current	15 A			
Number of MPP trackers	2			
Max. number of inputs per MPPT	1			
<b>Output</b>				
Grid connection	Single phase			
Rated output power	2,000 W	3,000 W	4,000 W	5,000 W
Max. apparent power	2,200 VA	3,300 VA	4,400 VA	5,500 VA
Rated output voltage	220 V / 230 V / 240 V			
Rated AC grid frequency	50 Hz / 60 Hz			
Max. output current	10 A	15 A	20 A	25 A
Adjustable power factor	0.8 leading ... 0.8 lagging			
Max. total harmonic distortion	≤ 3 %			
<b>Protection</b>				
Anti-islanding protection	Yes			
DC reverse polarity protection	Yes			
Insulation monitoring	Yes			
DC lightning protection	Yes			
AC lightning protection	Yes			
Residual current monitoring	Yes			
AC overcurrent protection	Yes			
AC short-circuit protection	Yes			
AC overvoltage protection	Yes			
Over-heat protection	Yes			
<b>General Data</b>				
Operating temperature range	-30 °C ~ + 60 °C (Derating above 45°C @ Rated output power)			
Relative operating humidity range	0 %RH ~ 100 %RH			
Operating altitude	0 - 4,000 m (Derating above 2,000 m)			
Cooling	Natural convection			
Display	LED indicators			
Communication	RS485, WLAN / 4G (Optional via smart mobile 4G-L0) <sup>2</sup>			
Weight (incl. mounting bracket)	10.6 kg (23.4 lb)			
Dimension (incl. mounting bracket)	375 * 375 * 161.5 mm (14.8 * 14.8 * 6.4 inch)			
Degree of protection	IP65			
<b>Standard Compliance (more available upon request)</b>				
Safety	EN/IEC 62109-1, EN/IEC 62109-2			
Grid connection standards	EN 50438-2013			

The text and figures reflect the current technical state at the time of printing. Subject to technical changes. Errors and omissions excepted. Huawei assumes no liability for mistakes or printing errors. For more information, please visit solar.huawei.com. Version No.:01-(20180908)



\*1. Only support real PV input.

\*2. Communication automatically switches to 3G/2G when 4G signal is not available.

# Smart Mobile 4G - L0



## Simple & Easy

- Plug-and-play USB interface

## Smart Operation

- Supports 2G/3G/4G
- Supports real-time signal intensity and operation status monitoring via mobile APP
- Supports data package usage management
- Supports direct connection to 3rd-party monitoring system<sup>1</sup>

## Stable & Reliable

- Supports data encryption for transmission, ensure data safety
- Supports high-speed & reliable 4G transmission, auto-reconnection after data chain breakage

Technical Specification	Smart Mobile 4G-L0
	<b>General Specification</b>
Connection interface	USB
Installation	Plug-and-play, optional for inverter connection
Display	LED indicator
Dimensions (W * H * D)	130 * 50 * 35 mm (5.1 * 2.0 * 1.4 inch)
Weight	79 g (0.2 lb)
Degree of protection	IP65
Power consumption	3.5 W Typical
	<b>Wireless Parameter</b>
Supported standard & carriers	4G / 3G / 2G For supported carries list and more information, please contact local distributors
Sim card type	Mini-sim card (15 mm * 25 mm)
Support system & frequency	4G: LTE FDD 3G: WCDMA / HSDPA / HSUPA / HSPA+ 2G: GSM / GPRS / EDGE For recommended carriers list and details of supported frequencies, please contact local distributors
	<b>Environment</b>
Operating temperature range	-30 °C ~ +65 °C
Operating humidity range	5% RH ~ 95% RH
Storage temperature range	-40 °C ~ +70 °C
Max. operating altitude	4, 000 m (13,123 ft)



The text and figures reflect the current technical state at the time of printing. Subject to technical changes. Errors and omissions excepted. Huawei assumes no liability for mistakes or printing errors. For more information, please visit solar.huawei.com. Version No.01-(20180908)

<sup>1</sup>. 3<sup>rd</sup>-party management system shall match the communication protocol with Huawei Smart Mobile 4G-L0



Copyright © Huawei Technologies Co., Ltd.2018. All rights reserved.  
No part of this document may be reproduced or transmitted in any form or by any means without prior written consent of Huawei Technologies Co., Ltd.

**Trademark Notice**

 HUAWEI and  are trademarks or registered remarks of Huawei Technologies Co., Ltd.  
Other trademarks, product service and company names mentioned are the property of their respective owners.

**General Disclaimer**

The information in this document may contain predictive statements including, without limitation, statements regarding the future financial and operating results, future product portfolio, new technology, etc. There are a number of factors that could cause actual results and developments to differ materially from those expressed or implied in the predictive statements. Therefore, such information is provided for reference purpose only and constitutes neither an offer nor an acceptance. Huawei may change the information at any time without notice.

**HUAWEI TECHNOLOGIES DÜSSELDORF GMBH**  
Südwestpark 60, 90449 Nürnberg, Germany  
Hotline: +80 03 38 88 888  
Email: [eu\\_inverter\\_support@huawei.com](mailto:eu_inverter_support@huawei.com)

**HUAWEI TECHNOLOGIES CO.,LTD**  
Huawei Industrial Base  
Bantian Longgang  
Shenzhen 518129,P.R.China  
Tel.:400-822-9999  
Version No.:01-(20180908)  
[solar.huawei.com](http://solar.huawei.com)