

M400K Conventional Callpoint



Model Available

M400K

Description

The M400K is designed to provide a manual interface for causing an alarm on the fire alarm system. The two wire circuit design allows remote communication with the monitoring control panel while also providing a localized LED.

Specifications

Operating Temperature: 0°C-50°C

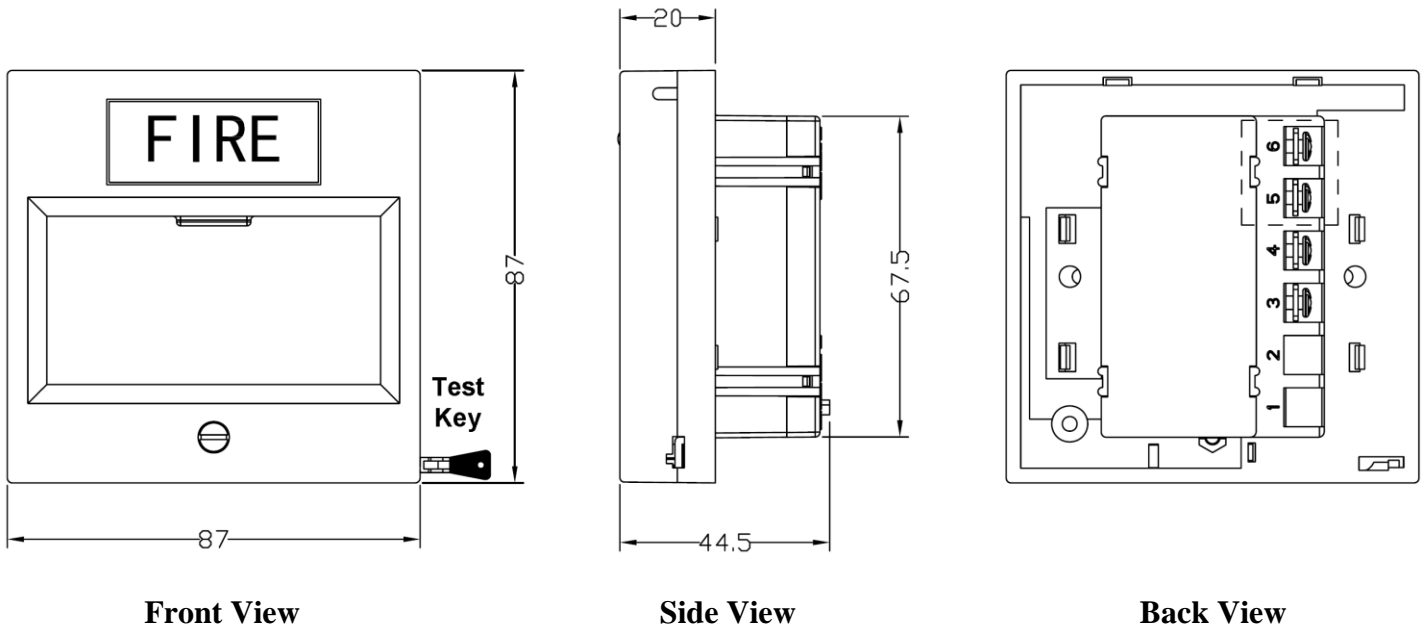
Current Rating : Max. Alarm Current- 30 mA

Mounting Arrangements

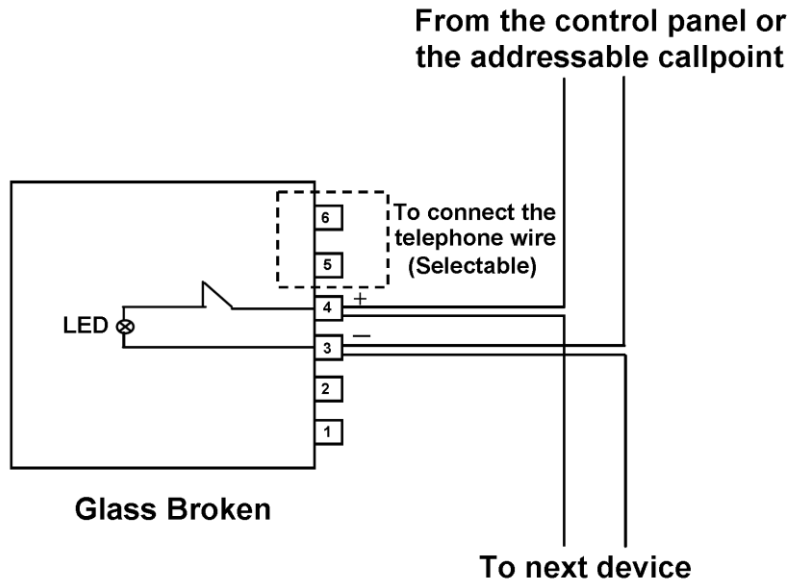
The M400K is designed for indoor application. If hazardous or external application is desired, please contact your supplier for additional application recommendations.

Flush: Will fit to standard 76x76mm² box (60mm center) .

Mechanical Specifications



Wiring Diagram



Ordering Information

Model Number	Ordering Number	Product Description	UOM
M400K	M400K	Conventional Callpoint with LED indicating	EA.
	M400K/T	Conventional Callpoint with LED indicating & phone jack	EA.
M400KR	M400KR	Conventional Callpoint with certain resistance	EA.
M400KA	M400KA	Conventional Callpoint without LED indicating	EA.
F35-500-07C	F35-500-07C	Pack of 10 pcs replacement glass	Pack
BBS-X	BBS-X	Mounting box	EA.



System Sensor Headquarters
3825 Ohio Avenue
St. Charles, IL 60174
Ph: 630-377-6580
Fx: 630-377-6495
Free Phone: 800-736-7672
Web: www.systemsensor.com

System Sensor China
28 Tuan Jie South Road,
Hi-Tech Development Zone
Xi'an, 710075, China
Ph: +86 29 85387800
Fx: +86 29 88895930
Web: www.systemsensor.com.cn

System Sensor Canada
Ph: 905-812-0767
Fx: 905-812-0771

System Sensor Europe
Ph: 44 (0) 1527 406700
Fx: 44 (0) 1527 406699

System Sensor Italy
Ph: 39 040 949 0111
Fx: 39 040 382 137

System Sensor Mexico
Ph: 54 11 4324-1909
Fx: 54 11 4324-5999

System Sensor Far East Ltd
Ph: 852 21919003
Fx: 852 27366580

System Sensor Singapore
Ph: 65 6273 2230

System Sensor India
Ph: 91 124 2371770-270
Fx: 91 124 2373118

System Sensor Australia
Ph: 61-3-5428 1142
Fx: 61-3-5428 1172