

HM-MCP-GLASS-UL



General

The HM-MCP-GLASS-UL is an addressable manual break glass call point which, as a simple rotary decade, switch at the rear of the unit for addressing.

A specialist test key may be inserted into the bottom of the unit to lower the glass and release the micro-switch – enabling a complete functionality test.

The HM-MCP-GLASS-UL call point is designed to provide a manual alarm interface to Morley IAS's fire alarm control panel.

Installation efficiency and compliance with the latest standards are at the heart of the call point range.

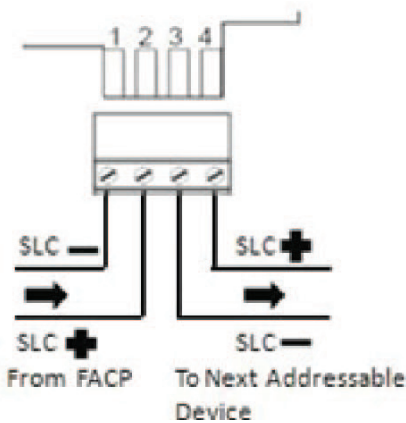


HM-MCP-GLASS-UL

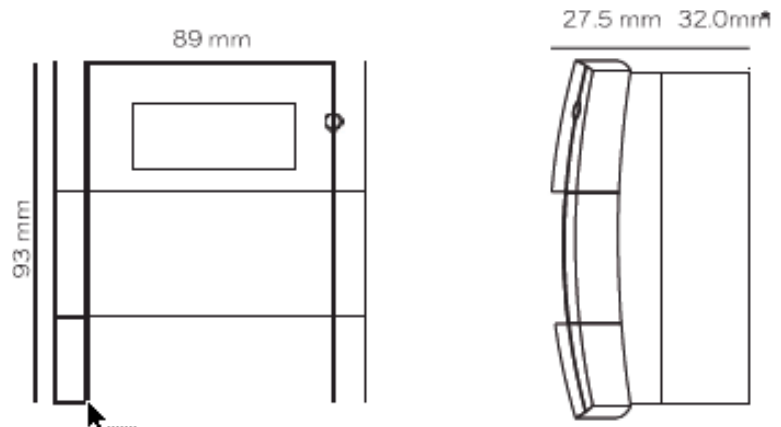
LED Status

The LED status is controlled by the fire panel and shows blinking RED each time the device is polled, or continuous RED to indicate fire detection.

Connection Details



Dimensions



FEATURES & BENEFITS

- Innovative “Plug and Play” installation concept
- Analogue addressable communications
- Integral LED

HM-MCP-GLASS-UL Technical Specifications

Mechanical Specifications

PARAMETER	SPECIFICATION
Dimensions	<ul style="list-style-type: none">• Semi-flush mounting: 89 x 93 x 27.5 (WxHxD)• Surface mounting: 89 x 93 x 59.5 (WxHxD)
Weight	110g (3.8 oz.)
IP Rating	IP24D
Operating Temperature	0°C to 49°C (32°F – 120°F)
Relative Humidity	10% - 93% non-condensing

Electrical Specifications

PARAMETER	SPECIFICATION
Operating Voltage	15V to 32Vdc max
Current Consumption	Quiescent (without isolator) 385µA Alarm Current: 7.8 mA

Optional Accessories

PART CODE	DESCRIPTION
PS230	Pack of 10 resettable elements
MUS041W	Manual call point back box
MUS156	Pack of 10 glass elements
SC070	Pack of 10 test keys

Agency Listings and Approvals

Listing and approval below apply to the modules specified in this. In some cases, certain modules may not be listed by certain approval agencies, or listing may be in process. Consult factory for latest listing status.

- **UL Listed:** S36215

Product Line Information

HM-MCP-GLASS-UL: Addressable break glass manual call point

Honeywell Building Technologies ASEAN

Level 25, UOA Corp Tower B, Avenue 10
The Vertical, Bangsar South City
59200, Kuala Lumpur, Malaysia
Email: Buildings.ASEAN@Honeywell.com

Honeywell Building Technologies META

Emaar Business Park, Building 2, 2nd Floor
Sheikh Zayed Road
P.O.Box 232362, Dubai, U.A.E.
Phone: +971 4 4505 847

Honeywell Building Technologies India

Unitech Trade Centre, 5th Floor
Sector – 43, Block C, Sushant Lok Phase – 1
Gurgaon – 122002, Haryana, India
Email: HoneywellSecurity&Fire@Honeywell.com
Toll Free: 1-800-103-0339
www.honeywell.com

HM-MCP-GLASS-UL | Rev 01 | 08/19
© 2019 Honeywell International Inc.

