

2151/2151T Low Profile Photoelectronic Plug-in Smoke Detectors



2151/2151T

Models Available

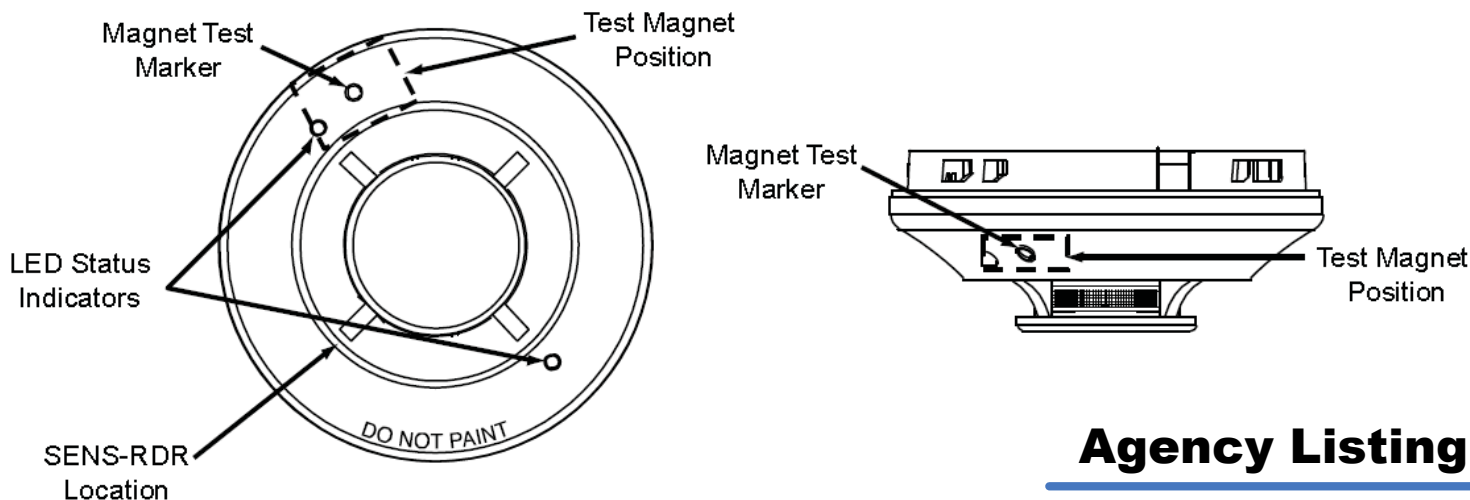
2151/2151T
Low Profile Photoelectronic Plug-in Smoke Detector

Description

The 2151 low-profile photoelectronic detector uses a state-of-the-art optical sensing chamber. This detector is designed to provide open area protection and to be used with compatible UL listed control panels only. The capability of plugging this detector into a variety of special bases makes it more versatile than equivalent direct wired models. The 2151T is a low profile, plug-in photoelectric smoke detector with fixed-temperature heat sensor.

This B401 plug-in detector base is used with System Sensor smoke and heat detector heads. The capability of plugging these detectors into a variety of special bases makes them more versatile than equivalent direct wired models. Refer to the Xi'an System Sensor catalog for other available plug-in detector bases. The B401 base is intended for use in 2-wire systems, with screw terminals provided for power and remote annunciator connections.

Appearance



Agency Listing

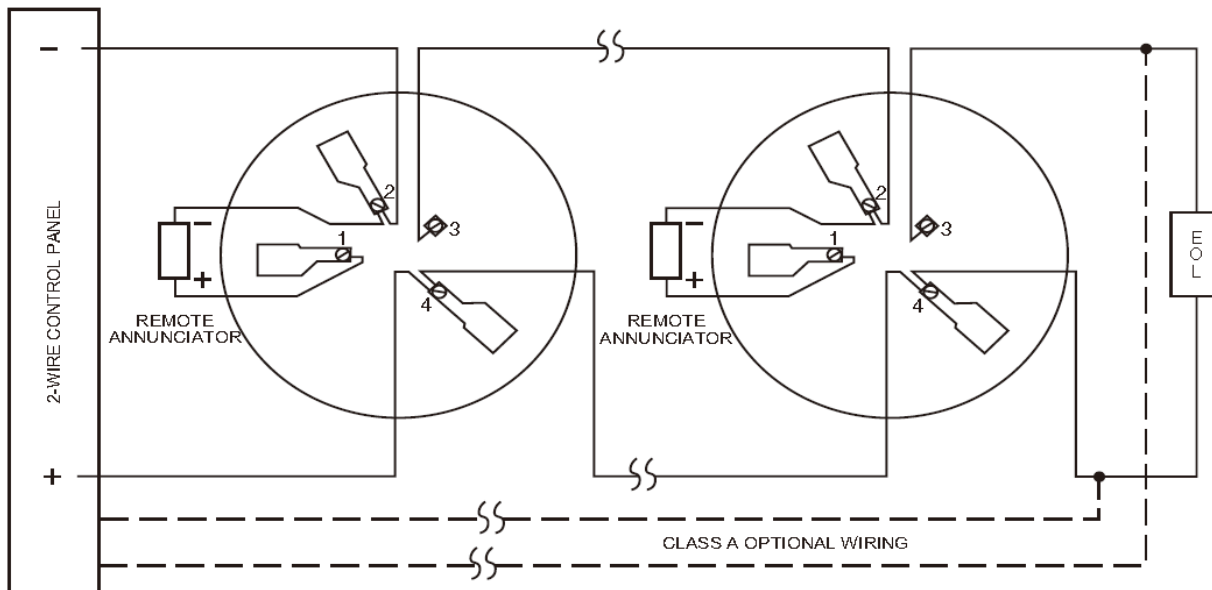


Specifications

Height:	2.0 inches (51 mm) installed in B401 Base
Diameter:	4.1 inches (104 mm) installed in B401 Base
Weight:	3.1 oz. (88 g)
Operating Temperature Range:	0 °C to 49 °C (32 °F to 120 °F); 2151 0 °C to 38 °C (32 °F to 100 °F); 2151T
Operating Humidity Range:	10% to 93% Relative Humidity, non-condensing
Heat Sensor (2151T only):	135 °F Fixed Temperature Electronic Thermistor
Operating Voltage:	8.5 to 35VDC
Standby Current:	120 µA
Latching Alarm:	Reset by momentary power interruption.

Note: 2151 is listed per UL268A Standard for Smoke Detectors Dust Application. When using the 2151 in a D(I) application it will only operate with the RA100Z remote test accessory. All other accessories cannot be used in this configuration.

Typical 2-wire Detector Wiring Configuration



Ordering Information

Model	Ordering Model	Description	UL	FM	UOM
2151	2151	Low Profile Photoelectronic Plug-in Smoke Detector	YES	YES	EA
	2151/W	Low Profile Photoelectronic Plug-in Smoke Detector with pure white color	YES	YES	EA
2151T	2151T	Low Profile Photoelectronic Plug-in Smoke Detector with fixed-temperature heat sensor	YES	YES	EA
B401	B401	Plug-In Detector Base, 4"	YES	YES	EA
	B401/W	Plug-In Detector Base with pure white color, 4"	YES	YES	EA
B401B	B401B	Plug-In Detector Base, 6.2"	YES	NA	EA
B401-WP	B401-WP	Water proof Plug-In Detector Base, 4"	NA	NA	EA



System Sensor Headquarters
3825 Ohio Avenue
St. Charles, IL 60174
Ph: 630-377-6580
Fx: 630-377-6495
Free Phone: 800-736-7672
Web: www.systemsensor.com

System Sensor China
28 Tuan Jie South Road,
Hi-Tech Development Zone
Xi'an, 710075, China
Ph: +86 29 85387800
Fx: +86 29 88895930
Web: www.systemsensor.com.cn

System Sensor Canada
Ph: 905-812-0767
Fx: 905-812-0771

System Sensor Europe
Ph: 44 (0) 1527 406700
Fx: 44 (0) 1527 406699

System Sensor Italy
Ph: 39 040 949 0111
Fx: 39 040 382 137

System Sensor Mexico
Ph: 54 11 4324-1909
Fx: 54 11 4324-5999

System Sensor Far East Ltd
Ph: 852 21919003
Fx: 852 27366580

System Sensor Singapore
Ph: 65 6273 2230

System Sensor India
Ph: 91 124 2371770-270
Fx: 91 124 2373118

System Sensor Australia
Ph: 61-3-5428 1142
Fx: 61-3-5428 1172