

# RICHTECH

*MAINLINE FILTER*



# RICHTECH

## COMPRESSED AIR PRECISION FILTER

### Working Condition and Technical Data

Rated working pressure : 1.0

Maximum temperature of filter : 80C

Maximum temperature (Sterilization type) : 150C

### Features :

- \* High quality : Adopting the most advanced technology of Germany to produce high-polymer-material filter ;
- \* Wide application : Filter of multiple level to remove oil,water, dust and bacteria
- \* Stronger & lighter : Aluminum alloy shell,larger steel filter

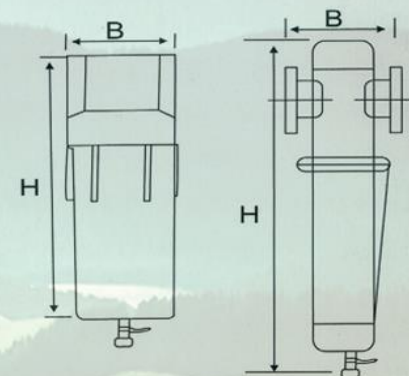


### Technical Data

Model	Capacity(m <sup>3</sup> /min)	Working pressure(Mpa)	Pipe diameter (Inch)	Dimension (B*H)		Weight(KG)
RF-001	1.6	1.0	G1"	104	313	2
RF-002	2.6	1.0	G1"	104	313	2
RF-004	3.8	1.0	G1 1/2"	138	424	3.6
RF-007	6.8	1.0	G1 1/2"	138	630	4.9
RF-010	11	1.0	G2"	138	630	5.6
RF-013	13.6	1.0	G2"	138	630	5.6
RF-015	17	1.0	G2.5"	150	710	10.5
RF-020	20	1.0	G2.5"	150	800	12
RF-020	22	1.0	DN65	380	1210	65
RF-025	27	1.0	DN80	380	1210	68
RF-030	36	1.0	DN80	380	1210	70
RF-040	46	1.0	DN100	400	1310	90
RF-050	56	1.0	DN100	400	1310	95
RF-060	68	1.0	DN125	460	1410	130
RF-080	87	1.0	DN125	460	1410	135
RF-100	110	1.0	DN150	530	1482	120
RF-130	140	1.0	DN150	600	1482	140
RF-150	150	1.0	DN150	600	1482	145
RF-160	170	1.0	DN200	650	1585	195
RF-180	190	1.0	DN200	650	1585	200
RF-300	300	1.0	DN200	770	1800	205

### Element parameter

Level	Particle Size(μm)	Dust-collection efficiency (%)	Outlet oil residue (mg/m <sup>3</sup> )	Initial differential pressure (Mpa)	Service life(Hr)
C	40	100	—	0.003	≥8000
T	3	100	—	0.003	≥8000
A	0.3	99.97	0.1	0.005	≥8000
H	0.01	99.999	0.01	0.009	≥8000
F	0.005	99.997	—	0.009	≥8000



### Remark :

Our company reserves the right of changing design, and the parameter is subject to change without notification