

Morley Lite Fire Alarm Control Panel

Honeywell Morley Lite is a Compact, High Performance, Feature enriched Fire Alarm Control Panel designed to meet the Fire Detection Addressability.

Honeywell Morley-Lite Fire Detection Control Panel series is ideally suited for Small to Medium Sized Buildings, Residential Complexes, Banks, Healthcare, Restaurants, Retail Stores etc. Morley Lite panels communicates via LiteSpeed™ protocol with Morley Lite detectors and devices.

Morley Lite Panel is built with Combination of quick installation, enhanced feature set and advanced programming which allows installer to meet demands of the end user with flexibility in configuration. Equipped with configurable remote monitoring inputs, programmable relays, delay setting for alarm verification, software isolation of class B circuit and NAC outputs, mapping of NAC to specific class B circuits, password protections etc.

End users get clear visible indications, easy to operate functions to activate the control buttons, customizable class B circuit text via text inserts to meet building naming conventions. Reliable and trouble free system built as per latest safety standards of industry which ensures system is safe and protected. Internal memory lock feature to restrict changes to fire panel configuration by any intruder without key lock.



FEATURES

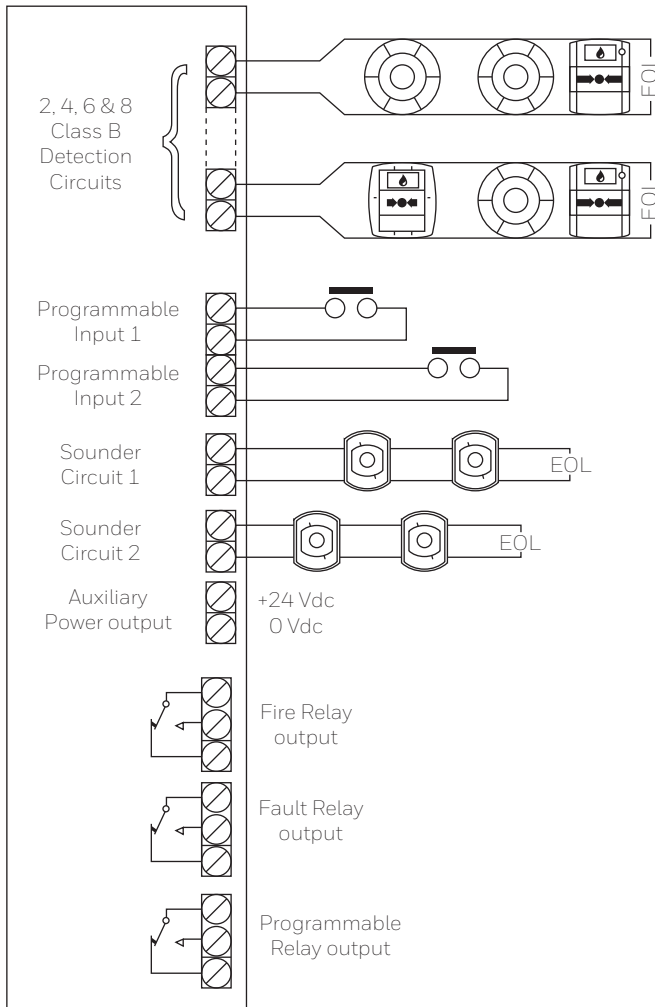
Display: 64 Character LCD Screen.

Control Keys: Silence Buzzer, Silence/Resound Alarm, Reset, Evacuate, Accept delay.

Indicators: Fault, NAC Fault, Earth Fault, Fire, Power, System Fault.

USER INTERFACE

<ul style="list-style-type: none"> 64 Character LCD display, aesthetically designed front fascia 	<ul style="list-style-type: none"> Fire, Fault, Configurable Relay 	<ul style="list-style-type: none"> Staged Delay configuration for alarm verification
<ul style="list-style-type: none"> Individual Class B Circuit Isolation 	<ul style="list-style-type: none"> Circuit wise NAC configuration 	<ul style="list-style-type: none"> Engineering Mute Configuration
<ul style="list-style-type: none"> Customizable text inserts 	<ul style="list-style-type: none"> NAC Enable/Disable facility 	<ul style="list-style-type: none"> Battery Charging/Battery Internal Resistance Monitoring
<ul style="list-style-type: none"> Programmable input for remote reset/evacuate/alert/fire 	<ul style="list-style-type: none"> Monitored NAC and Class B Circuit for Open/Short/Faults 	<ul style="list-style-type: none"> Aux output facility
<ul style="list-style-type: none"> Event Logging 	<ul style="list-style-type: none"> PC tool for advanced configuration needs/ Event exploring 	<ul style="list-style-type: none"> On board memory lock switch to prevent unauthorized panel configuration changes.
<ul style="list-style-type: none"> Lamp Test Facility 	<ul style="list-style-type: none"> One Man walk test facility 	<ul style="list-style-type: none"> Configurable delays to output, with timer to fire indication
<ul style="list-style-type: none"> Detectors/MCPs in same circuit 	<ul style="list-style-type: none"> Upto 1000m Length 	<ul style="list-style-type: none"> Latching/Non-Latching configuration for fault for easy debugging
<ul style="list-style-type: none"> Date/Time/Password configuration 	<ul style="list-style-type: none"> Earth Fault Monitoring 	<ul style="list-style-type: none"> Mechanical Keylock
<ul style="list-style-type: none"> Separate configuration/user memories/system fault, sound/ resound feature like EN 54-4 standard 	<ul style="list-style-type: none"> Certified for Safety standard IEC 62368-1:2018 	<ul style="list-style-type: none"> CE certificate



WIRING DIAGRAM

Mechanical Specifications	
Dimensions (H X W X D)	360 X 422 X 122.8 mm (Front Facia), 360 X 380 X 92.3 mm (Back Box)
Weight	5.8 Kg Approx. (No Battery Fitted)
Construction	Powder coated Cold Rolled STEEL 1.2mm thick
Cable Entry	15 X 20mm Knockout
Operating Temperature	0 to 49°C
Relative Humidity	5% to 95% Non-Condensing
Electrical Specifications	
Operating Voltage	230V-AC +/- 20% Output current 2A maximum, Alarm Load 1A Maximum
Standby Batteries	Minimum capacity 2 x 12 V 2.8Ah, Maximum capacity 2 x 12 V 7 Ah
Detection Circuits	2, 4, 6, 8 Class B Circuit, Max 2mA per Detect or Circuit
Approved Detectors	Honeywell Morley Lite Series
Programmable Inputs	Configurable (Alarm, Reset, Evacuate)
Programmable Input	Extended closing contact
Trigger External Outputs	Sounder Outputs: <ul style="list-style-type: none"> • 2 monitored outputs • 0.5 Amps per circuit Auxiliary Output: <ul style="list-style-type: none"> • 18.5 to +28.5 Vdc, 0.5 Amp. (max)

Circuit diagram*

* Number of Programmable input might vary based on panel model, minimum 1 would be supported in all variants, check installation manual for all details

COMPATIBLE DEVICES

Order Codes	Description
HML/PSE	Morley Lite Photo-Electric Smoke Detector
HML/PTSE	Morley Lite Photo-Electric Smoke & Heat Detector
HML/RHSE	Morley Lite Heat Detector
B/401	Plug-in detector base
MCP2A/R470FF/01	System Sensor MCP Red W/O Back Box
MCP2A/R470SF/01	System Sensor MCP Red with Back Box
W1A-R470SF-K013-01	System Sensor WCP Red, Flexible Element
W1A-R470SG-K013-81	System Sensor Intrinsic WCP Red, Glass Element
SYS/HS	System Sensor Horn cum Strobe, Wall, Red, Standard Candela
SYS/HS/C	System Sensor Horn cum Strobe, Ceiling, Red, Standard Candela
SYS/ST	System Sensor Strobe, Wall, Red, Multi Candela
SYS/ST/C	System Sensor Strobe, Ceiling Mount, Red, Multi Candela
MHR/1	System Sensor Red Mini Horn, Red, UL certified

ORDERING PART CODES FOR PANEL

Order Codes	Manufacturer Part No.
HML/100/2A	Morley Lite 2 Circuit Class B Fire Alarm Control Panel
HML/100/4A	Morley Lite 4 Circuit Class B Fire Alarm Control Panel
HML/100/6A	Morley Lite 6 Circuit Class B Fire Alarm Control Panel
HML/100/8A	Morley Lite 8 Circuit Class B Fire Alarm Control Panel

For more information, please contact:

Email: buildings.asean@honeywell.com

Malaysia (ASEAN Headquarters)

Honeywell International Sdn. Bhd.
Level 25, UOA Corp Tower B, Avenue 10
The Vertical, Bangsar South City,
59200, Kuala Lumpur, Malaysia

Indonesia

PT. Honeywell Indonesia
Menara Prima, 23rd Floor
Jl. DR. Ide Anak Agung Gde Agung Blok 6.2
Kawasan Mega Kuningan, Jakarta 12950,
Indonesia

Philippines

Honeywell International Philippines, Inc.
25th & 26th Floor, The Curve BGC 32nd corner
3rd Avenue, Bonifacio Global City, Taguig City
Philippines 1634

Singapore

Honeywell Pte. Ltd.
17 Changi Business Park Central 1
Honeywell Building, Singapore 486073

Thailand

Honeywell Systems (Thailand) Ltd.
252/121 25th Floor
Muang Thai-Phatra office Tower II
Ratchadapisek Road, Huay Khwang
Bangkok 10320, Thailand

Vietnam

Honeywell Vietnam Co.,Ltd.
Suite 1406-1408, Level 14, Pacific Place Building,
83B Ly Thuong Kiet, Hoan Kiem District, Hanoi
Vietnam

Honeywell Vietnam Co.,Ltd.
Suite 11, 5th Floor, Crescent Plaza,
105 Ton Dat Tien Street, Tan Phu Ward, District 7,
HCMC Vietnam

Myanmar

Honeywell Myanmar
No. 35, U Kyaw Hla Street, 7th Mile,
Mayangone Township, Yangon 11061
Myanmar