

BEST



CCTV CAMERA

CMFQ667FS
Box Camera



จับตาดูทุกความเคลื่อนไหว

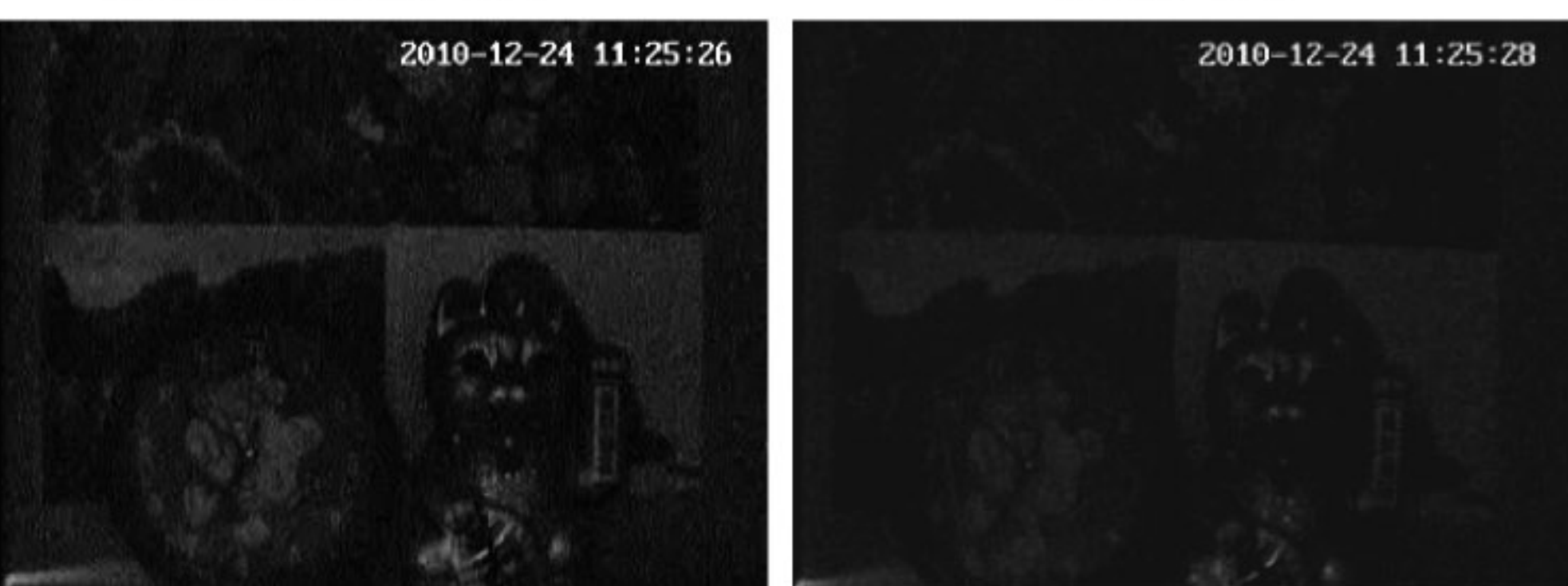


Effio-E 700TVL

600TVL

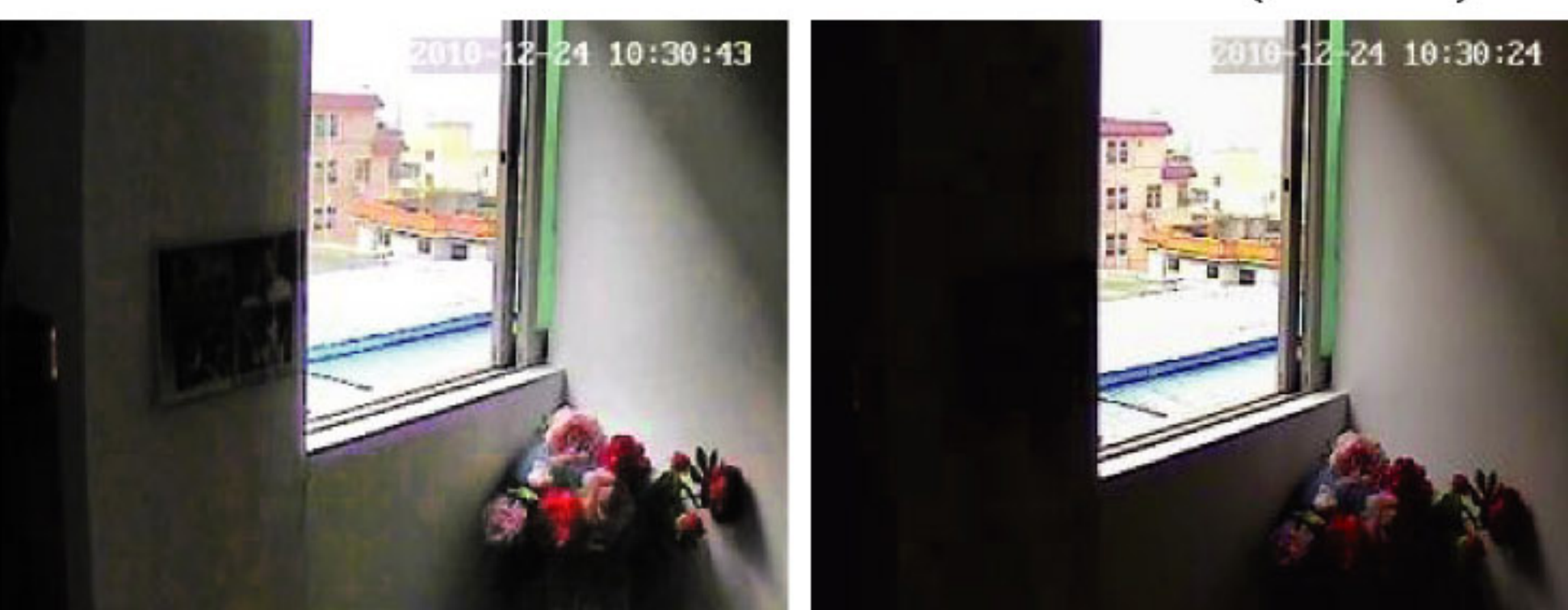
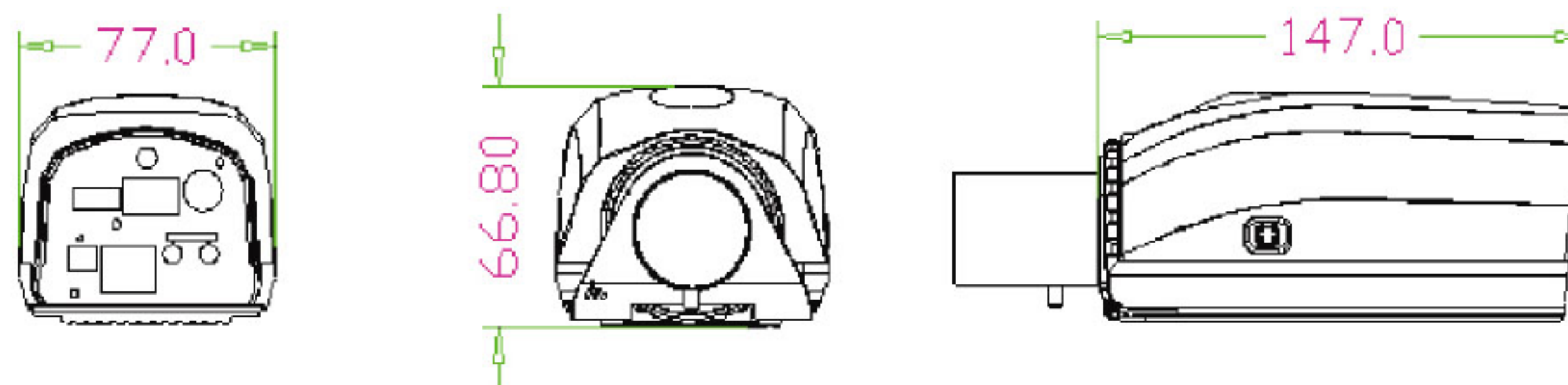
Features:

- 1/3" SONY EX-view HAD II CCD (960H)
- 700 TV lines
- can order fix len cs or auto airis lan
- Color 0.06Lux/F1.2, B/W:0.006lux/F1.2
- the day night model



Effio-E (0.05lux)

Other Camera (0.05lux)



Effio-E ATR(ON)

Effio-E ATR(off)



Effio-E HLC(ON)

Effio-E HLC(off)



CCTV Security Cameras and Digital Video Security Systems
Highest Ideas Products



ISO9001:2008



BEST



CMFQ667FS Box Camera



Menu control	OSD menu
Image Sensor	1/3" SONY EX-view HAD II CCD (960H)
H.Resolution	700 TV lines
Lens	No
Type lens	can order fix len cs or auto airis lan
Effective Pixel	PAL:976(H)*582(V),NTSC:976(H)*494(V)
Min. Illumination	Color 0.06Lux/F1.2, B/W:0.006lux/F1.2
IR Distance	the day night model
Dust&Water Resistance	No
Video Output	1.0Vp-p Composite Output (77h / BNC)
S/N Ratio	>=50dB
LED Wave length	No
Working Temperature	-20 °C+50 °C
Working Humidity	<=90%
Power Supply	DC12V(+/-10%), Max.500mA
Power Consumption	Max.6W
Packing Dimension	147*77*66.8mm
Gross Weight	0.38kgs
Accessories	No

CCTV Security Cameras and Digital Video Security Systems
Highest Ideas Products



ISO9001:2008

