



CCTV CAMERA

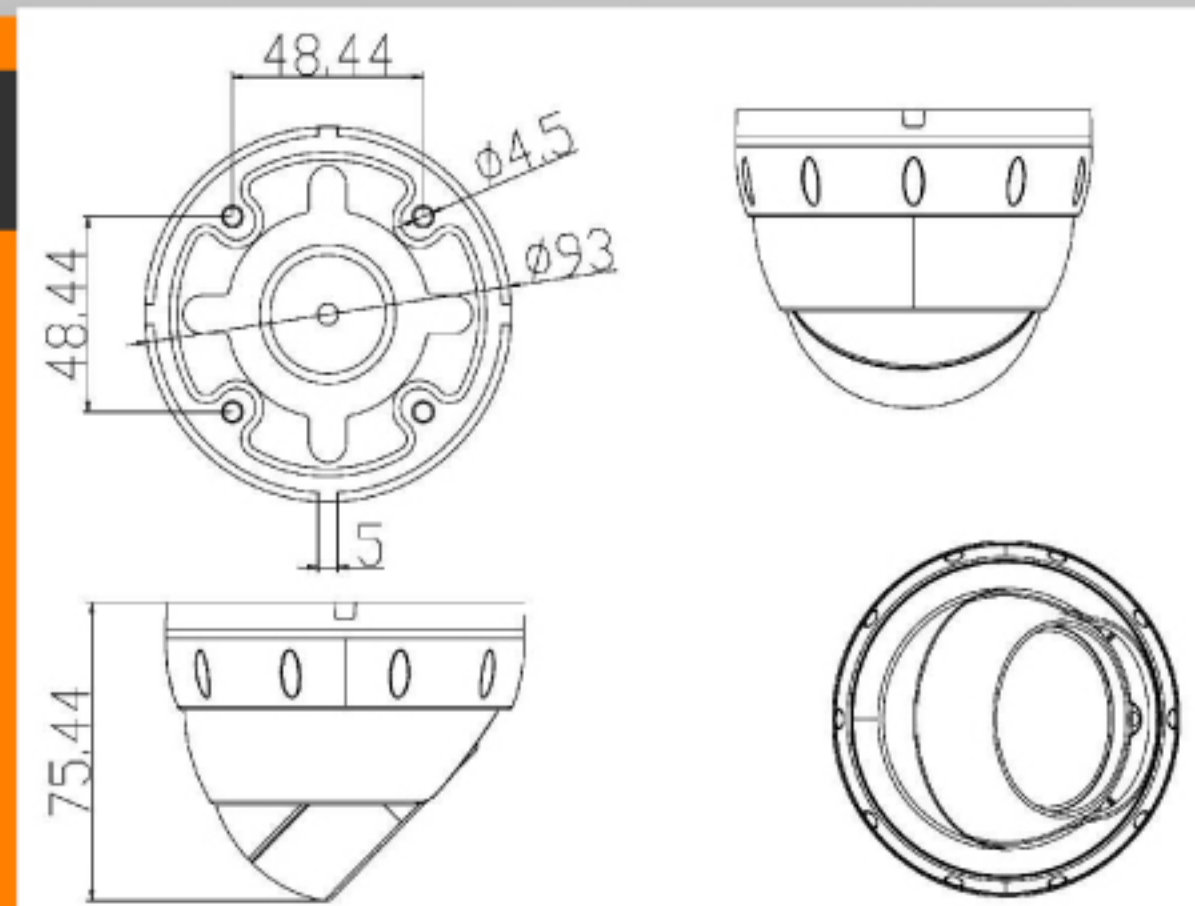
CMFB856DS

IR Dome Camera

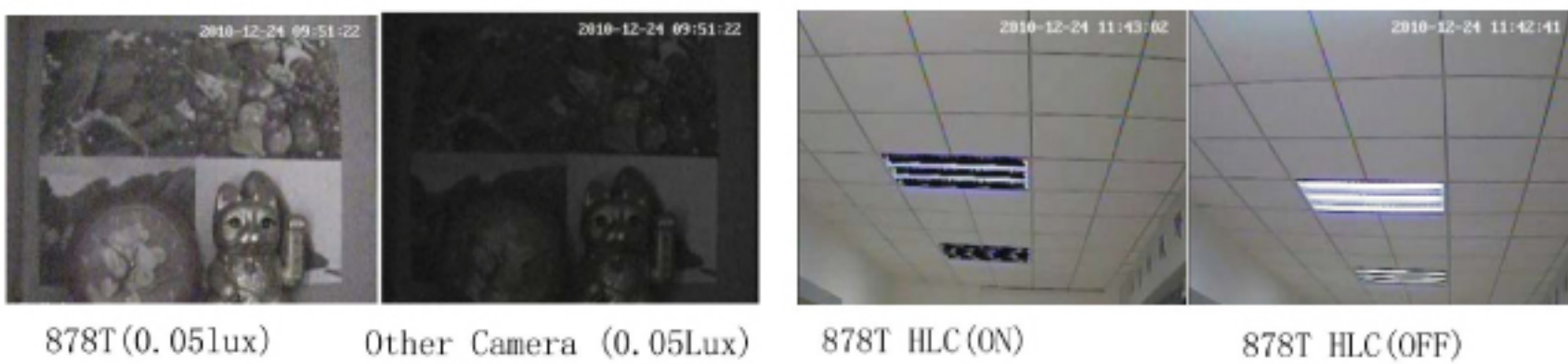


CMFB856DS

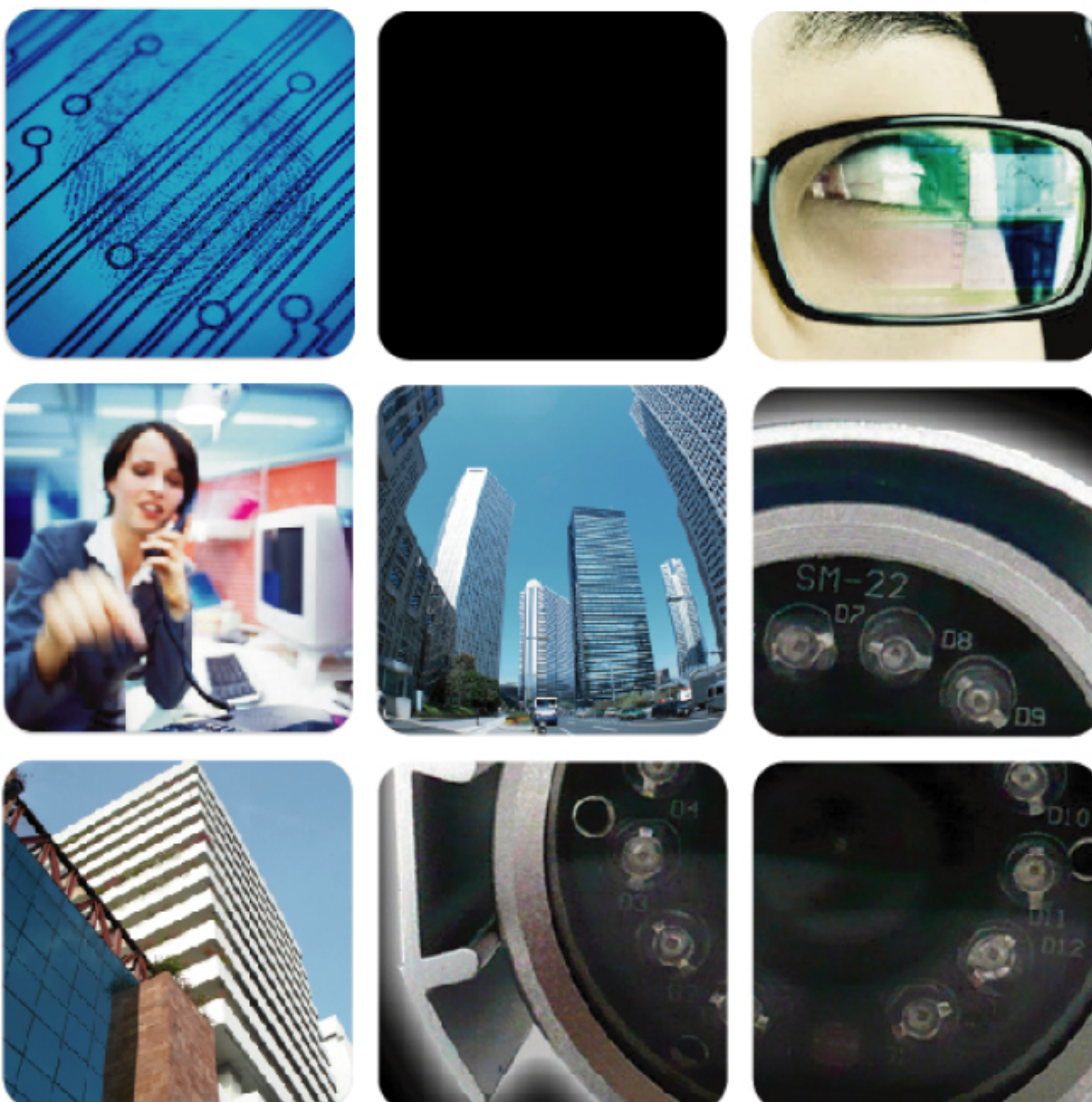
- 1/3" SONY Super HAD II CCD
- DSP: NVP2030
- Resolution: 600TVL
- Min. illumination: 0Lux(IR ON)
- 10-15M IR distance/24xØ5.
- 3.6mm M12 Lens
- Electronic shutter(Auto), Day&Night, Auto white balance
- IR distance:10~15m
- DC12V



Features:



CCTV Security Cameras and Digital Video Security Systems



Model	CMFB856DS 600TVL
Pick-up device	1/3" SONY Super HAD II CCD
Effective pixels	NTSC:510*492,PAL:500*582
Resolution	Color 600TVL
Min. illumination	0lux(IR on)
Sync system	Internal
Scan system	2:1 interlace
S/N ratio	more than 50dB
Lens	3.6mm M12 lens (6mm M12/2.8 mm M12 lens optional)
Electronic shutter	Auto
White balance	ATW
Day&Night	Auto
Gamma	0.45
Video output	1.0Vp-p Composite Video Output, 75 Ohm
IR distance	10-15 m(24xØ5)
Power supply	DC12V± 10%
Power consumption(Max)	400mA/DC12V(IR on)
Operation temp	-20°C ~ 50°C



CCTV Security Cameras and Digital Video Security Systems
Highest Ideas Products