

BEST



HIP
อันดับ 1 เรื่องสินค้าและบริการ

CCTV CAMERA

CMF286RS 600TVL

IR Camera



จับตาทุกความเคลื่อนไหว



600TVL



550TVL



879T(0.05Lux)



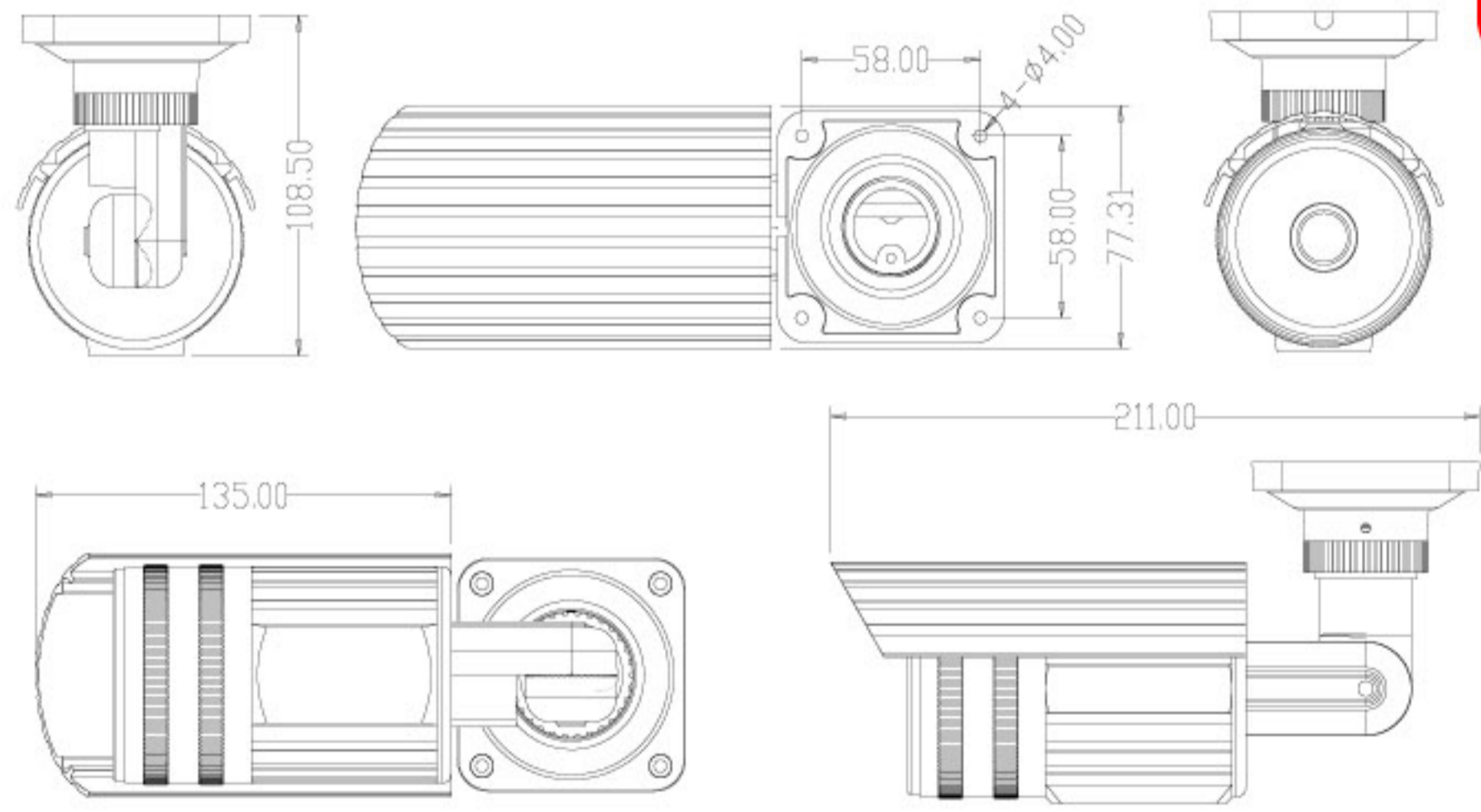
Other Camera (0.05Lux)

Features:



- 1/3" SONY Super HAD II CCD
- DSP: NVP2040
- Resolution: 600TVL
- Min. illumination: 0Lux (IR ON)
- Electronic shutter(Auto),Day & Night,Auto white balance
- IR distance: 20~30m
- Lightning proof, IP66, J36A cable bracket included, DC12V

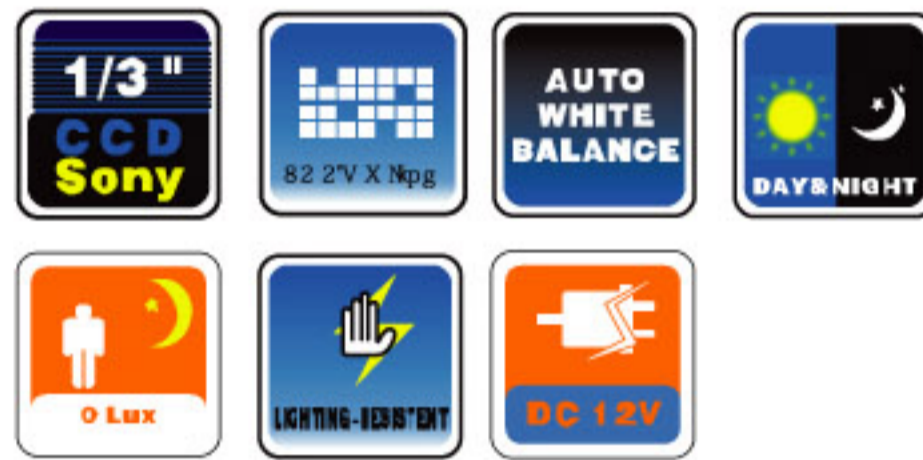
CCTV Security Cameras and Digital Video Security Systems
Highest Ideas Products



BEST



CMF286RS 600TVL IR Camera



Technical Specification

Menu control	No
Image Sensor	1/3" CCD SONY super HAD
H.Resolution	600TV lines
Lens	3.6mm or 6mm can order
Type lens	fix len CS
Effective Pixel	PAL:768(H)*494(V),NTSC:752(H)*582(V)
Min. Illumination	0lux(IR ON)
IR Distance	20~30 meters
Dust&Water Resistance	IP66/lightning-proof
Video Output	1.0Vp-p Composite Output (75h / BNC)
S/N Ratio	>=50dB
LED Wave length	36 unit 850nm infrared LED
Working Temperature	-20 °C+50 °C
Working Humidity	<=90%
Power Supply	DC12V(+/-10%), Max.500mA
Power Consumption	Max.6W
Packing Dimension	211*77.3*108.5mm
Gross Weight	0.62kgs
Accessories	Buil in bracket

CCTV Security Cameras and Digital Video Security Systems
Highest Ideas Products



ISO9001:2008

