

BEDROOM 3

P.WE.

[PLAY WITH EVERYTHING]
DESIGN HOUSE

PROJECT NAME:

- house

OWNER:

PROJECT DIRECTOR

P.WE.

[PLAY WITH EVERYTHING]
DESIGN HOUSE

ARCHITECTS

เขมมีจรรยา ณ นคร
ภ-สถ 16584

INTERIOR DESIGNER

STRUCTURAL ENGINEERS

นฤตย์พงษ์ เรืองวัฒนานนท์
ภย.55929

ELECTRICAL ENGINEERS

SANITARY ENGINEERS

PROJECT MANAGER

REVISION

REV.	DATE	REVISION RECORD
01	26/06/2016	

DRAWING TITLE:

CHECKED BY:

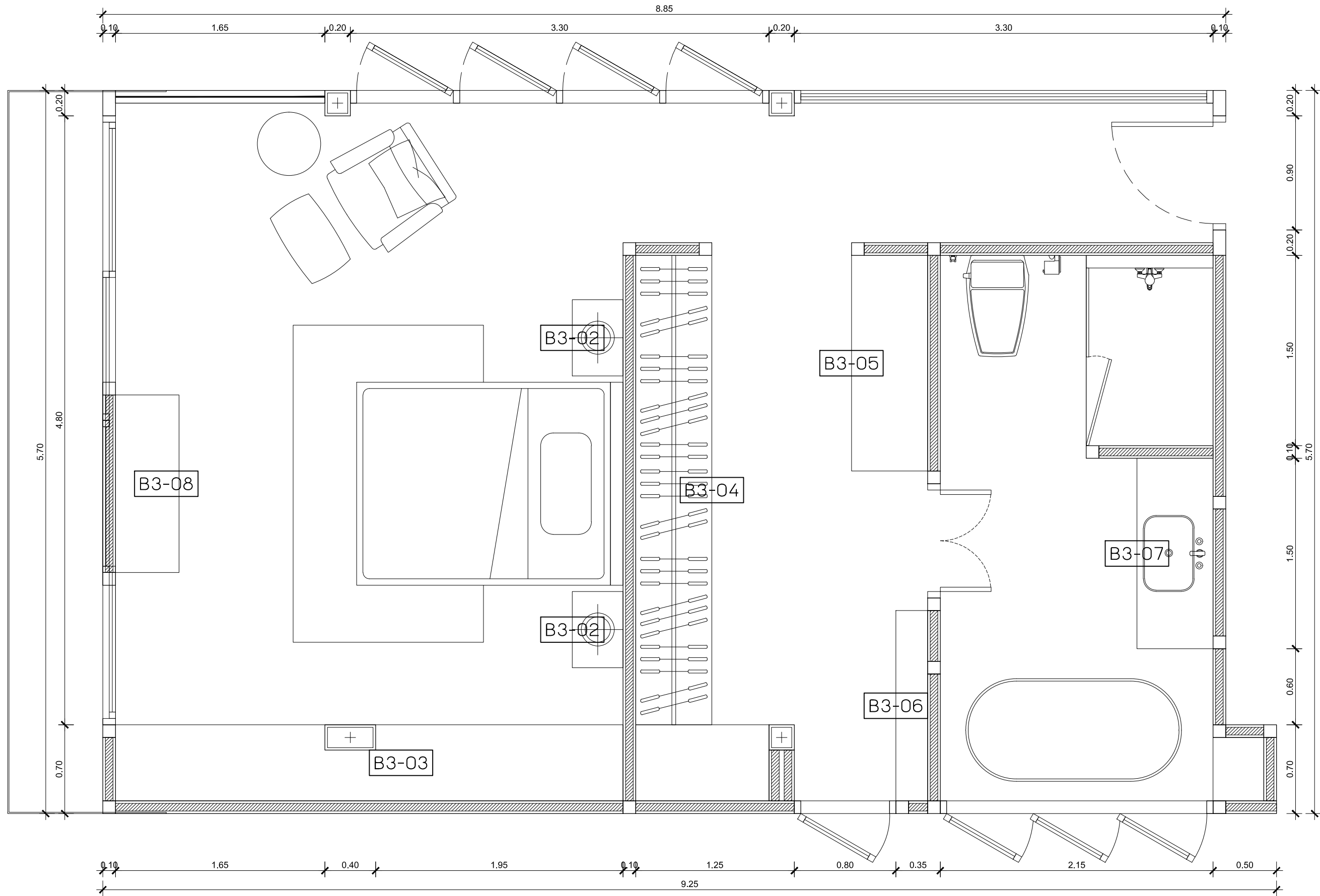
DRAWN BY:

เขมมีจรรยา ณ นคร ภ-สถ 16584

SCALE: 1 : 20 DATE: 10/08/2016

DRAWING NO. TOTAL

-This drawing shall not be used for construction unless signed "approved".



P.WE.
[PLAY WITH EVERYTHING]
DESIGN HOUSE

PROJECT NAME:

- house

OWNER:

PROJECT DIRECTOR

P.WE.

[PLAY WITH EVERYTHING]
DESIGN HOUSE

ARCHITECTS

เขมจิรา ณ นคร
ภ-สถ 16584

INTERIOR DESIGNER

STRUCTURAL ENGINEERS

นฤตย์พงษ์ เรืองวัฒนานนท์
ภย.55929

ELECTRICAL ENGINEERS

SANITARY ENGINEERS

PROJECT MANAGER

REVISION

REV.	DATE	REVISION RECORD
01	26/06/2016	

DRAWING TITLE:

CHECKED BY:

DRAWN BY:
เขมจิรา ณ นคร ภ-สถ 16584

SCALE: 1 : 25 DATE: 10/08/2016

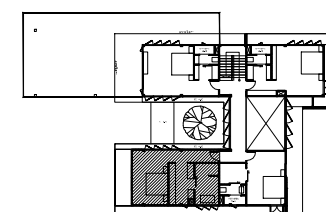
DRAWING NO.	TOTAL
A-07	

BEDROOM 3 FURNITURE LAYOUT

SCALE

1: 30

-This drawing shall not be used for construction unless signed "approved".



BEDROOM 3 PERSPECTIVE

SCALE

1: 20

P.WE.

[PLAY WITH EVERYTHING]
DESIGN HOUSE

PROJECT NAME:

- house

OWNER:

PROJECT DIRECTOR

P.WE.

[PLAY WITH EVERYTHING]
DESIGN HOUSE

ARCHITECTS

เขมจิรา ณ นคร
ภ-สถ 16584

INTERIOR DESIGNER

STRUCTURAL ENGINEERS

นฤตย์พงษ์ เรืองวัฒนานนท์
ภย.55929

ELECTRICAL ENGINEERS

SANITARY ENGINEERS

PROJECT MANAGER

REVISION

REV.	DATE	REVISION RECORD
01	26/06/2016	

DRAWING TITLE:

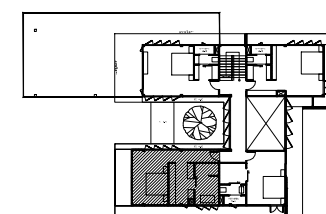
CHECKED BY:

DRAWN BY:
เขมจิรา ณ นคร ภ-สถ 16584

SCALE: 1 : 20 DATE: 10/08/2016

DRAWING NO. TOTAL

-This drawing shall not be used for construction unless signed "approved".



BEDROOM 3 PERSPECTIVE

SCALE

1: 20

P.WE.

[PLAY WITH EVERYTHING]
DESIGN HOUSE

PROJECT NAME:

- house

OWNER:

PROJECT DIRECTOR

P.WE.

[PLAY WITH EVERYTHING]
DESIGN HOUSE

ARCHITECTS

เขมจิรา ณ นคร
ภ-สถ 16584

INTERIOR DESIGNER

STRUCTURAL ENGINEERS

นฤตย์พงษ์ เรืองวัฒนานนท์
ภย.55929

ELECTRICAL ENGINEERS

SANITARY ENGINEERS

PROJECT MANAGER

REVISION

REV.	DATE	REVISION RECORD
01	26/06/2016	

DRAWING TITLE:

CHECKED BY:

DRAWN BY:

เขมจิรา ณ นคร ภ-สถ 16584

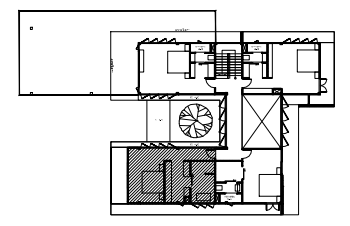
SCALE: 1 : 20

DATE: 10/08/2016

DRAWING NO.

TOTAL

-This drawing shall not be used for construction unless signed "approved".



BEDROOM 3 WARDROBE

SCALE

1: 20

P.WE.

[PLAY WITH EVERYTHING]
DESIGN HOUSE

PROJECT NAME:

- house

OWNER:

PROJECT DIRECTOR

P.WE.

[PLAY WITH EVERYTHING]
DESIGN HOUSE

ARCHITECTS

เขมจิรา ณ นคร
ภ-สถ 16584

INTERIOR DESIGNER

STRUCTURAL ENGINEERS

นฤตย์พงษ์ เรืองวัฒนานนท์
ภย.55929

ELECTRICAL ENGINEERS

SANITARY ENGINEERS

PROJECT MANAGER

REVISION

REV.	DATE	REVISION RECORD
01	26/06/2016	

DRAWING TITLE:

CHECKED BY:

DRAWN BY:

เขมจิรา ณ นคร ภ-สถ 16584

SCALE:
1 : 20

DATE:
10/08/2016

DRAWING NO.

TOTAL

-This drawing shall not be used for construction unless signed "approved".

P.WE.

[PLAY WITH EVERYTHING]
DESIGN HOUSE

PROJECT NAME:

- house

OWNER:

PROJECT DIRECTOR

P.WE.

[PLAY WITH EVERYTHING]
DESIGN HOUSE

ARCHITECTS

เชมจิรา ณ นคร
ภ-สถ 16584

INTERIOR DESIGNER

STRUCTURAL ENGINEERS

นฤตย์พงษ์ เรืองวัฒนานนท์
ภย.55929

ELECTRICAL ENGINEERS

SANITARY ENGINEERS

PROJECT MANAGER

REVISION

REV.	DATE	REVISION RECORD
01	26/06/2016	

DRAWING TITLE:

CHECKED BY:

DRAWN BY:

เชมจิรา ณ นคร ภ-สถ 16584

SCALE:

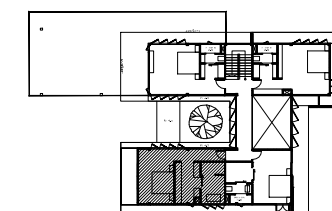
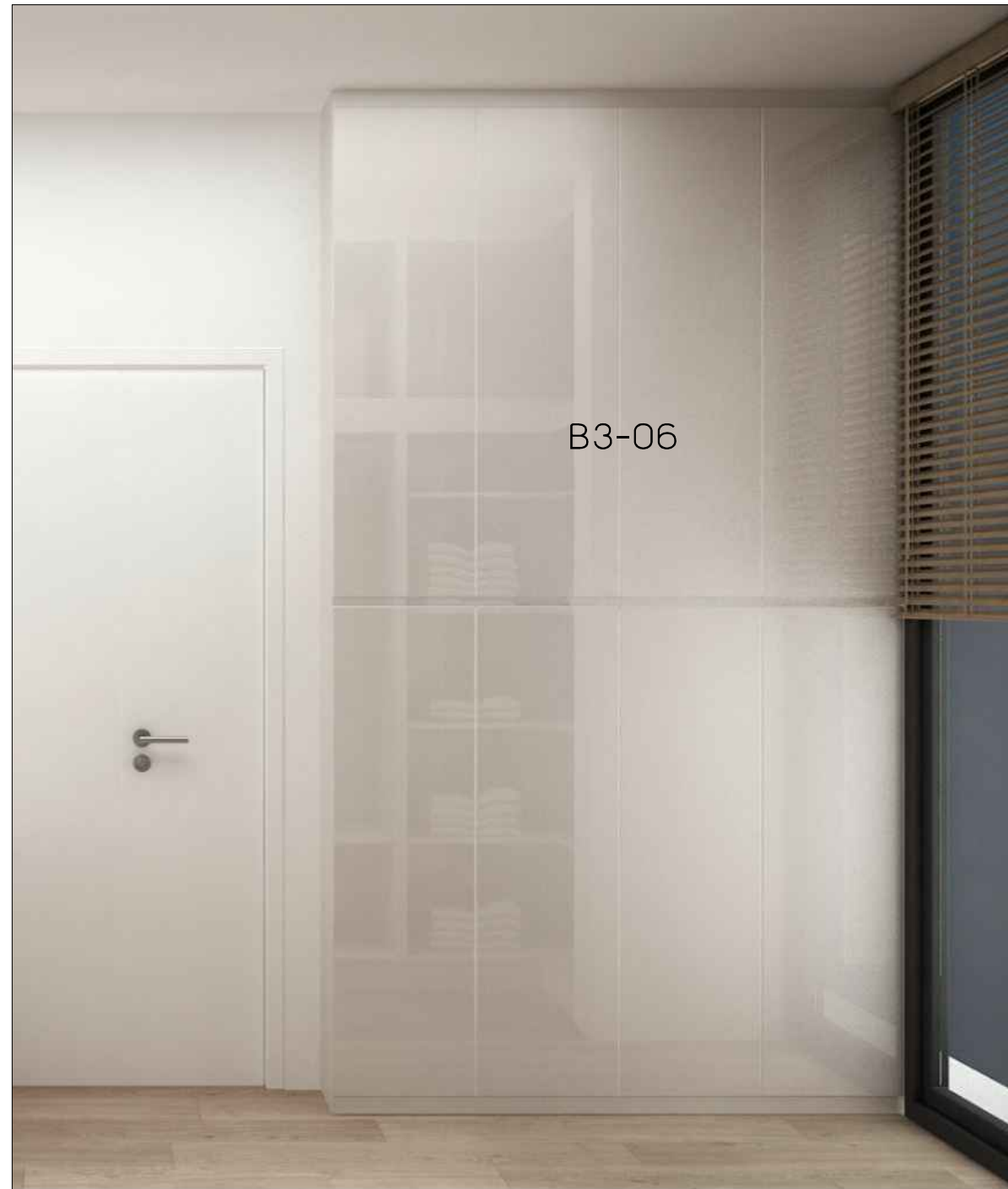
DATE:

10/08/2016

DRAWING NO.

TOTAL

-This drawing shall not be used for construction unless signed "approved".



BEDROOM 3 PERSPECTIVE

SCALE

1: 20



P.WE.

[PLAY WITH EVERYTHING]
DESIGN HOUSE

PROJECT NAME:

- house

OWNER:

PROJECT DIRECTOR

P.WE.

[PLAY WITH EVERYTHING]
DESIGN HOUSE

ARCHITECTS

เขมจิรา ณ นคร
ภ-สถ 16584

INTERIOR DESIGNER

STRUCTURAL ENGINEERS

นฤตย์พงษ์ เรืองวัฒนานนท์
ภย.55929

ELECTRICAL ENGINEERS

SANITARY ENGINEERS

PROJECT MANAGER

REVISION

REV.	DATE	REVISION RECORD
01	26/06/2016	

DRAWING TITLE:

CHECKED BY:

DRAWN BY:

เขมจิรา ณ นคร ภ-สถ 16584

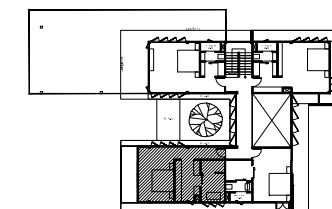
SCALE:

DATE:

10/08/2016

DRAWING NO.

TOTAL



BEDROOM 3 PERSPECTIVE

SCALE

1: 20

-This drawing shall not be used for construction unless signed "approved".

P.WE.

[PLAY WITH EVERYTHING]
DESIGN HOUSE

PROJECT NAME:

- house

OWNER:

PROJECT DIRECTOR

P.WE.

[PLAY WITH EVERYTHING]
DESIGN HOUSE

ARCHITECTS

เขมจิรา ณ นคร
ภ-สถ 16584

INTERIOR DESIGNER

STRUCTURAL ENGINEERS

นฤตยพงษ์ เรืองวัฒนานนท์
ภย.55929

ELECTRICAL ENGINEERS

SANITARY ENGINEERS

PROJECT MANAGER

REVISION

REV.	DATE	REVISION RECORD
01	26/06/2016	

DRAWING TITLE:

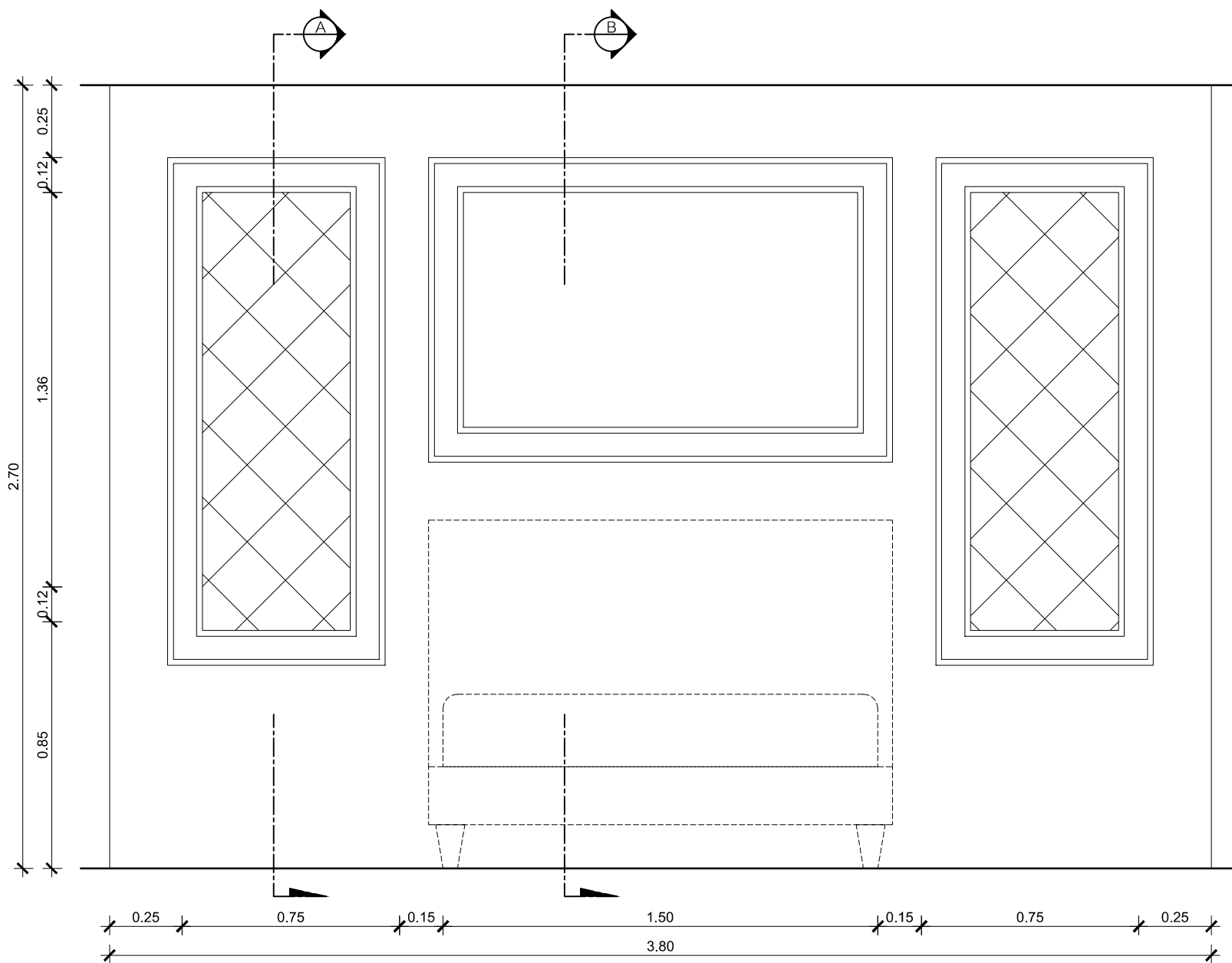
CHECKED BY:

DRAWN BY:
เขมจิรา ณ นคร ภ-สถ 16584

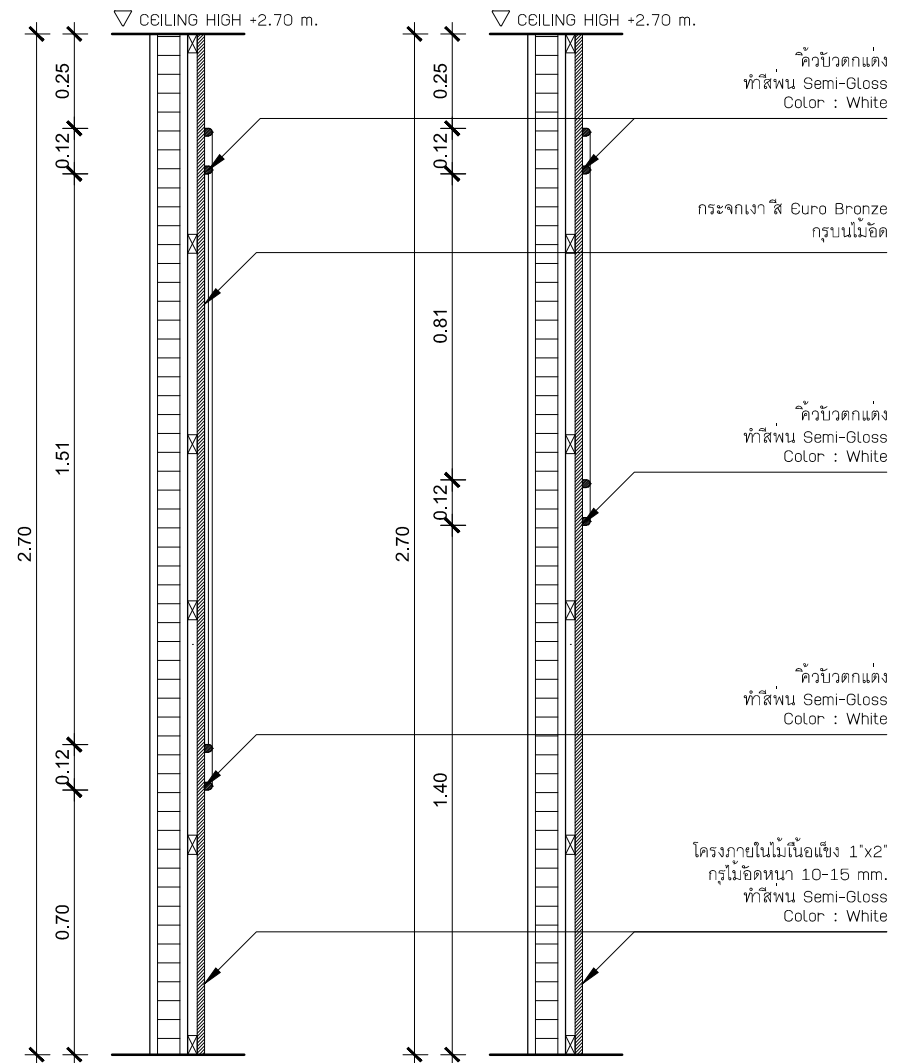
SCALE: 1 : 20 DATE: 10/08/2016

DRAWING NO. TOTAL

-This drawing shall not be used for construction unless signed "approved".

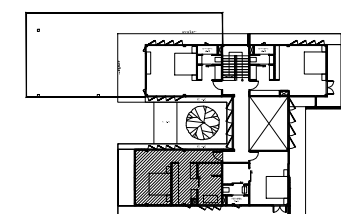


BED HEAD ELEVATION
SCALE 1: 20

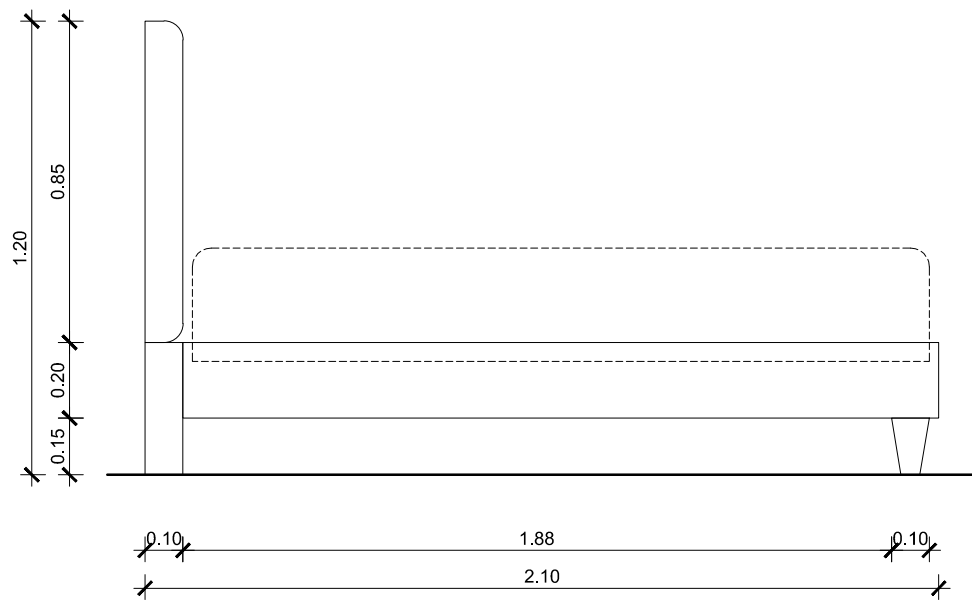


BED HEAD SECTION A
SCALE 1: 20

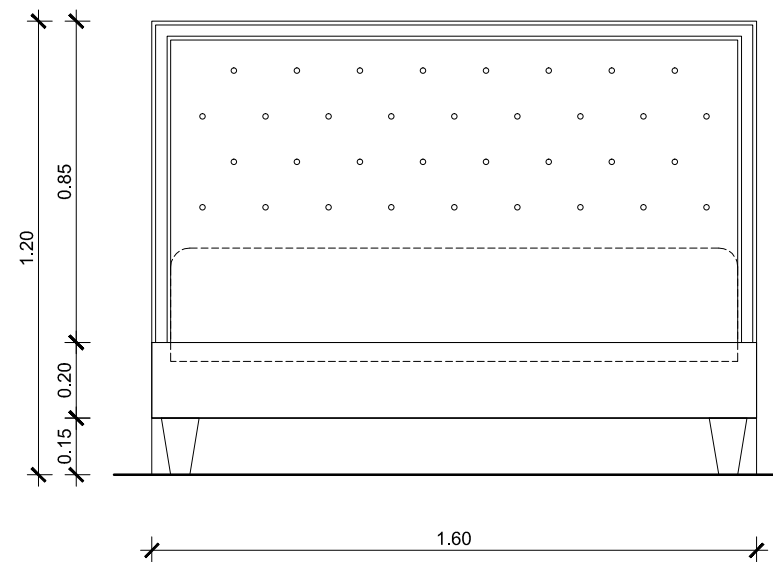
BED HEAD SECTION B
SCALE 1: 20



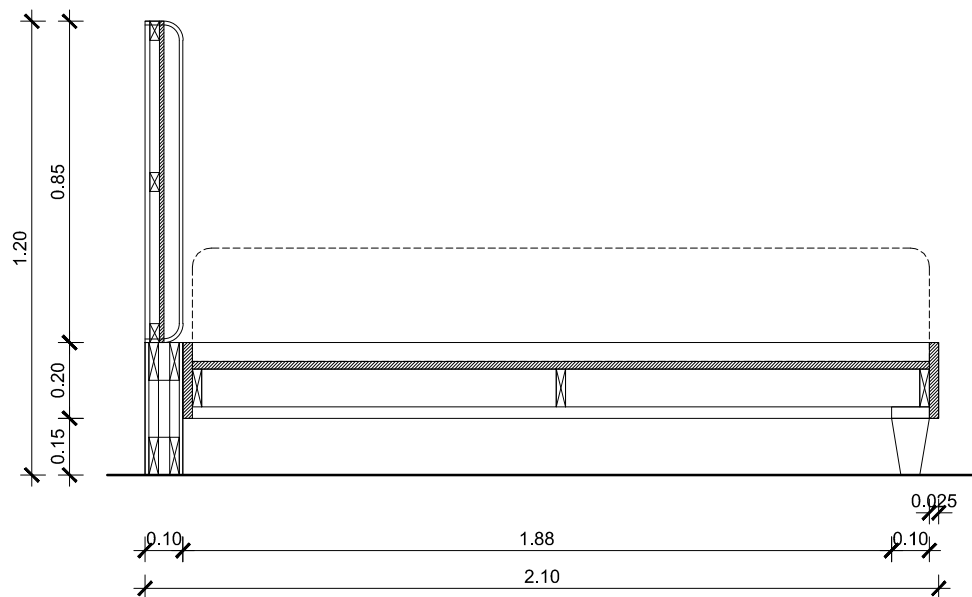
BEDROOM 3 BED HEAD
SCALE 1: 20



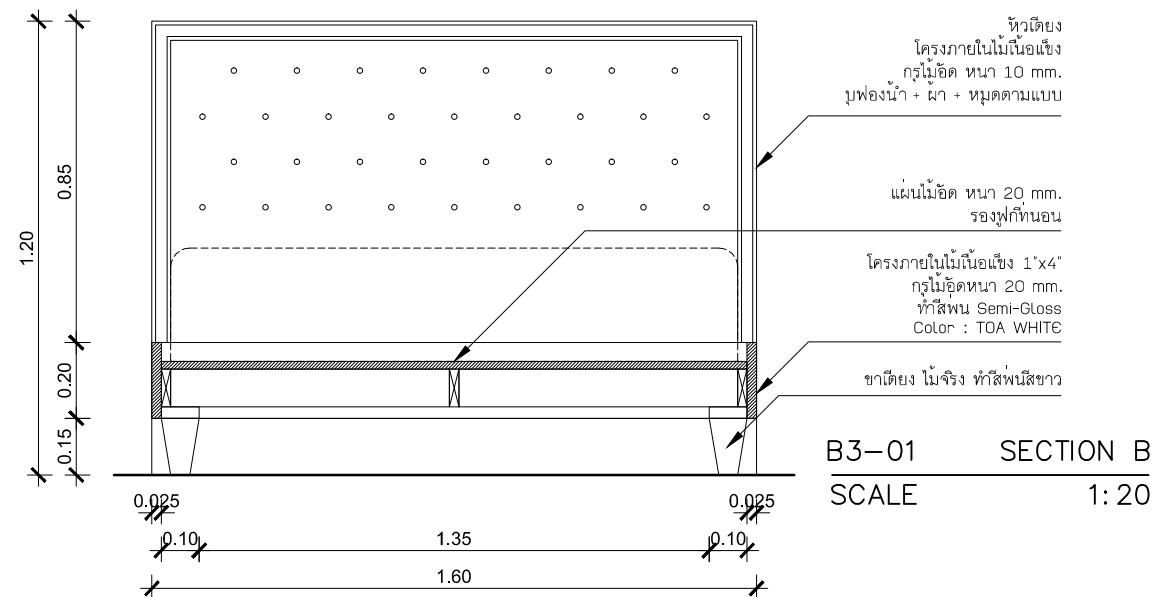
B3-01 ELEVATION A
SCALE 1: 20



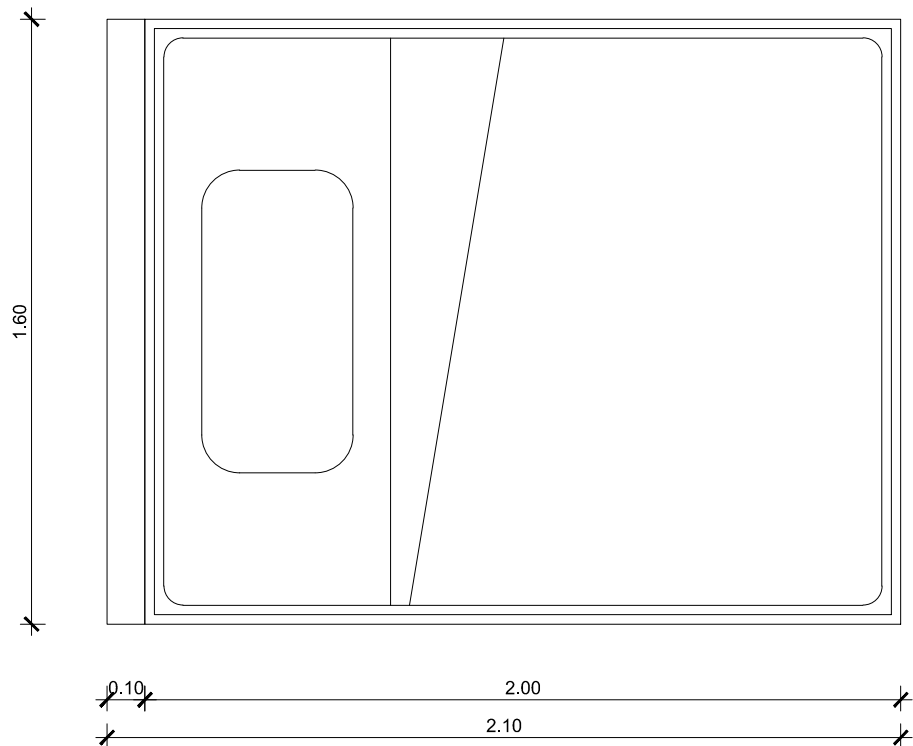
B3-01 ELEVATION B
SCALE 1: 20



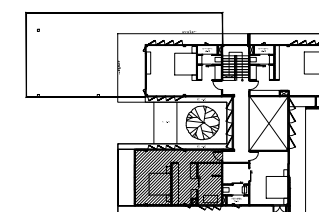
B3-01 SECTION A
SCALE 1: 20



B3-01 SECTION B
SCALE 1: 20



B3-01 PLAN
SCALE 1: 20



BEDROOM 3 BED
SCALE 1: 20

P.WE.
[PLAY WITH EVERYTHING]
DESIGN HOUSE

PROJECT NAME:
- house

OWNER:

PROJECT DIRECTOR

P.WE.
[PLAY WITH EVERYTHING]
DESIGN HOUSE

ARCHITECTS

เขมจิรา ณ นคร
ภ-สถ 16584

INTERIOR DESIGNER

STRUCTURAL ENGINEERS

นักตยพงษ์ เรืองวัฒนานนท์
ภย.55929
ELECTRICAL ENGINEERS

SANITARY ENGINEERS

PROJECT MANAGER

REVISION

REV.	DATE	REVISION RECORD
01	26/06/2016	

DRAWING TITLE:

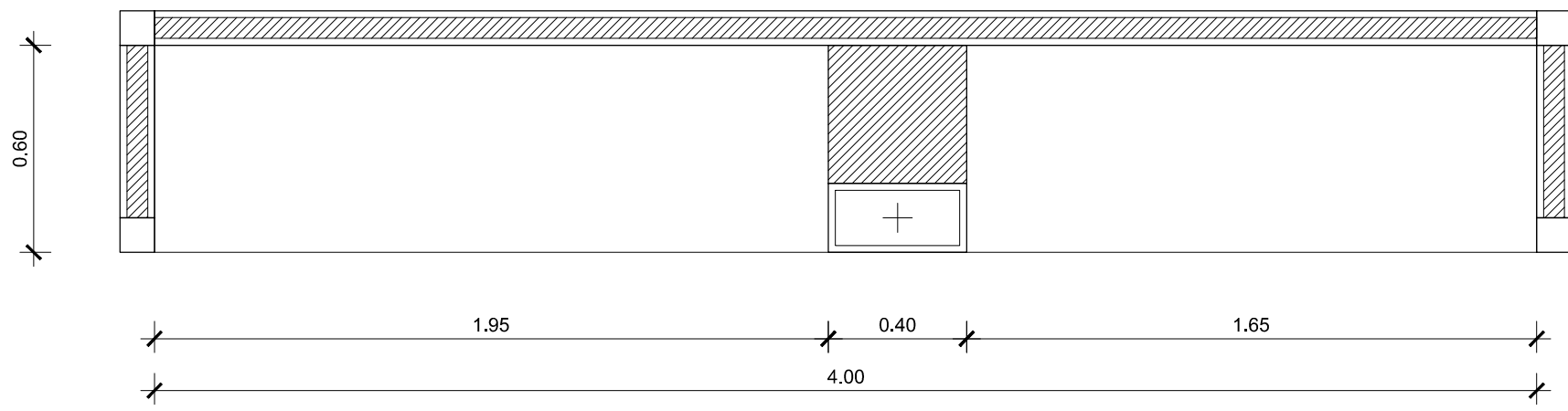
CHECKED BY:

DRAWN BY:
เขมจิรา ณ นคร ภ-สถ 16584

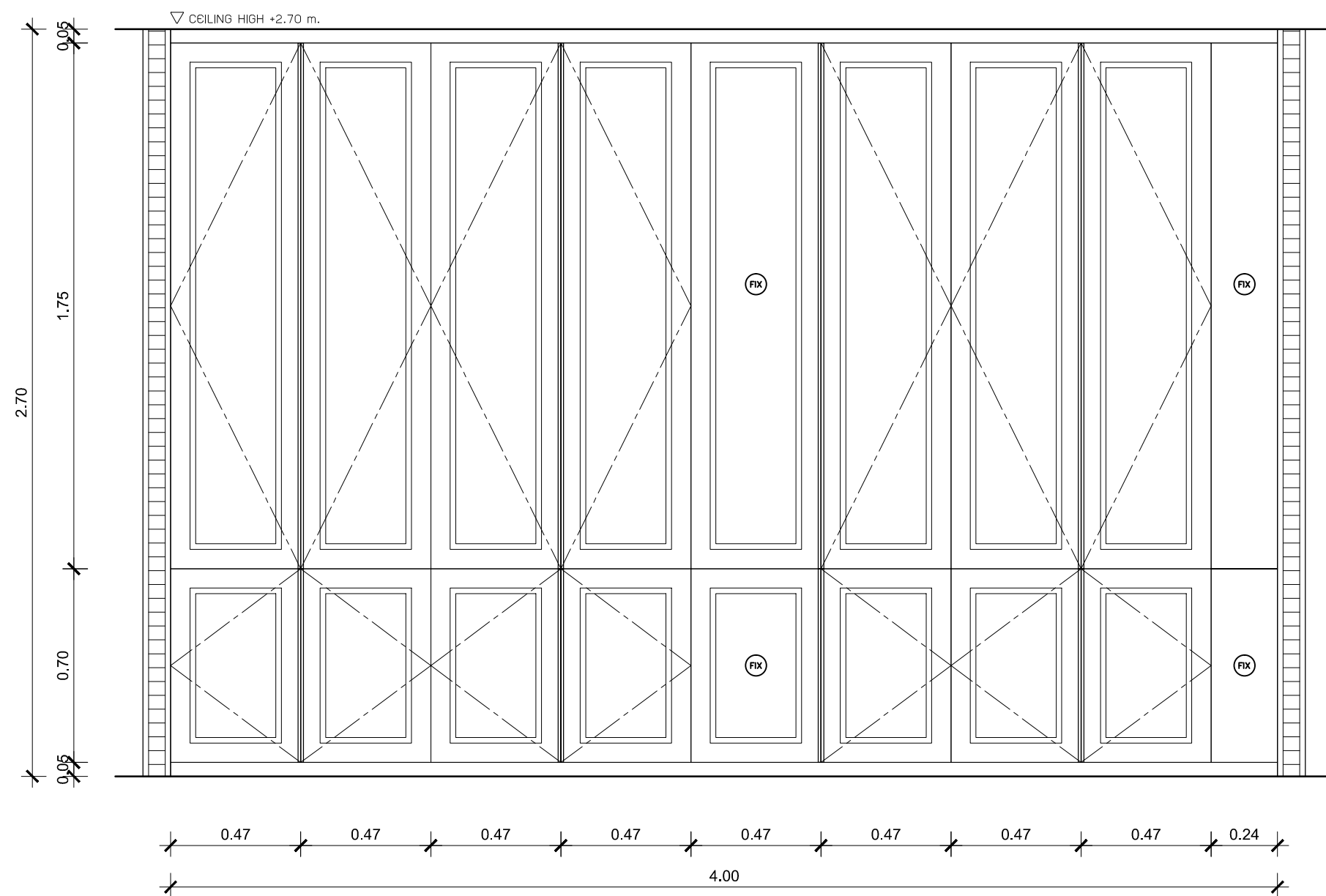
SCALE: 1 : 20 DATE: 10/08/2016

DRAWING NO. TOTAL

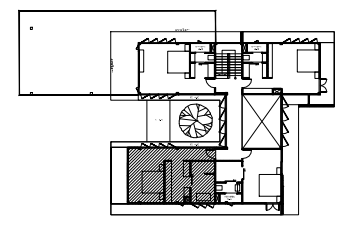
-This drawing shall not be used for construction unless signed "approved".



B3-03 PLAN
SCALE 1:20



B3-03 ELEVATION
SCALE 1:20



BEDROOM 1 B3-03
SCALE 1:20

P.WE.
[PLAY WITH EVERYTHING]
DESIGN HOUSE

PROJECT NAME:
- house

OWNER:

PROJECT DIRECTOR

P.WE.
[PLAY WITH EVERYTHING]
DESIGN HOUSE

ARCHITECTS

เขมจิรา ณ นคร
ภ-สถ 16584

INTERIOR DESIGNER

STRUCTURAL ENGINEERS

นฤตย์พงษ์ เรืองวัฒนานนท์
ภย.55929

ELECTRICAL ENGINEERS

SANITARY ENGINEERS

PROJECT MANAGER

REVISION

REV.	DATE	REVISION RECORD
01	26/06/2016	

DRAWING TITLE:

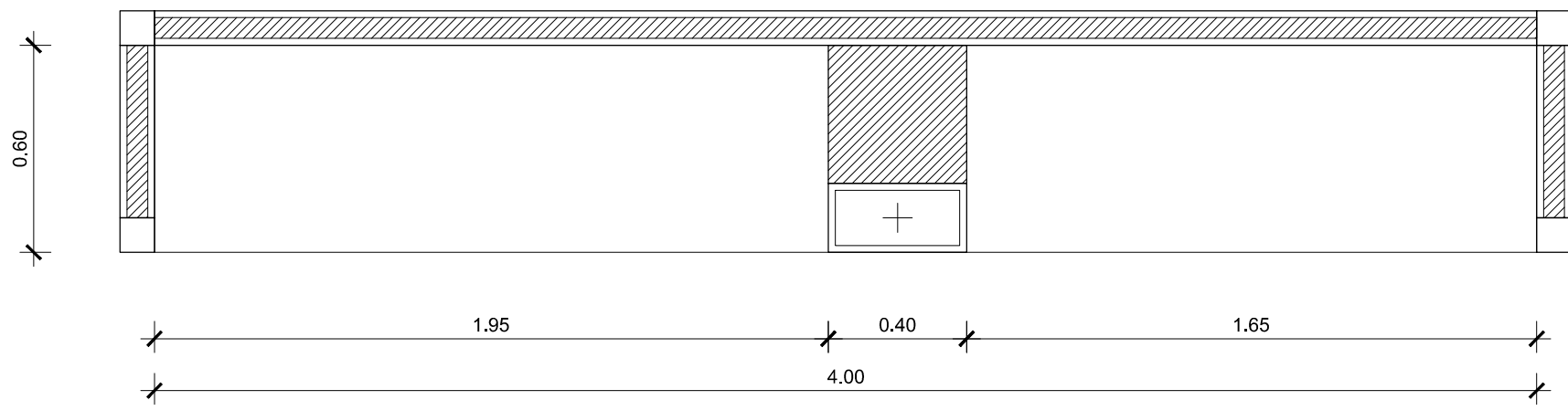
CHECKED BY:

DRAWN BY:
เขมจิรา ณ นคร ภ-สถ 16584

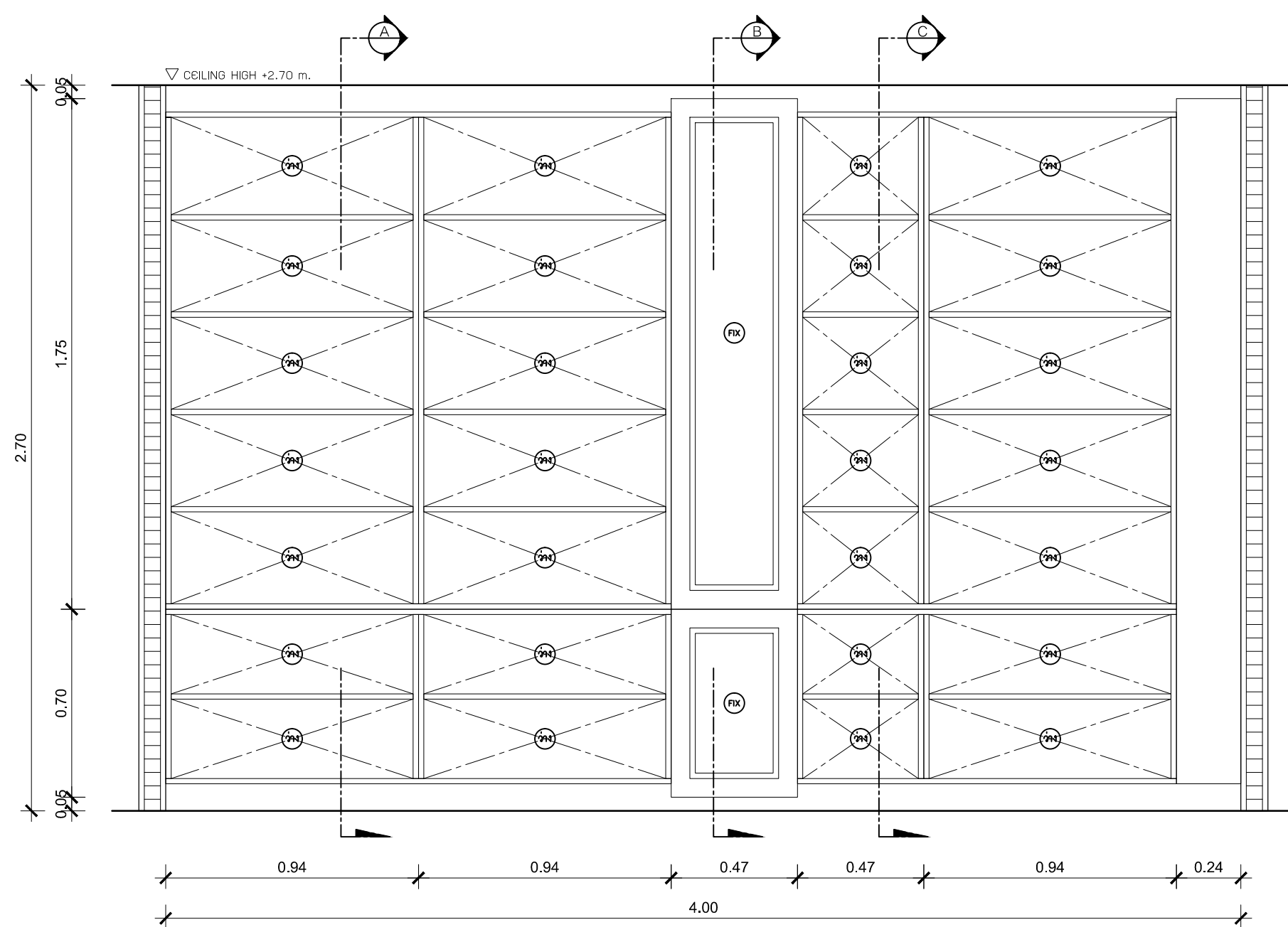
SCALE: 1:20 DATE: 10/08/2016

DRAWING NO. TOTAL

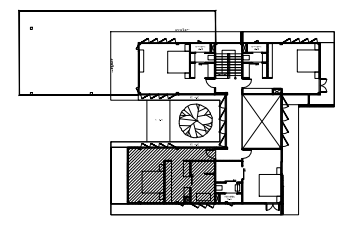
-This drawing shall not be used for construction unless signed "approved".



B3-03 PLAN
SCALE 1:20



B3-03 ELEVATION
SCALE 1:20



BEDROOM 1 B3-03
SCALE 1:20

P.WE.
[PLAY WITH EVERYTHING]
DESIGN HOUSE

PROJECT NAME:
- house

OWNER:

PROJECT DIRECTOR

P.WE.
[PLAY WITH EVERYTHING]
DESIGN HOUSE

ARCHITECTS

เขมจิรา ณ นคร
ภ-สถ 16584

INTERIOR DESIGNER

STRUCTURAL ENGINEERS

นฤตย์พงษ์ เรืองวัฒนานนท์
ภย.55929

ELECTRICAL ENGINEERS

SANITARY ENGINEERS

PROJECT MANAGER

REVISION

REV.	DATE	REVISION RECORD
01	26/06/2016	

DRAWING TITLE:

CHECKED BY:

DRAWN BY:
เขมจิรา ณ นคร ภ-สถ 16584

SCALE: 1:20 DATE: 10/08/2016

DRAWING NO. TOTAL

-This drawing shall not be used for construction unless signed "approved".

P.WE.

[PLAY WITH EVERYTHING]
DESIGN HOUSE

PROJECT NAME:

- house

OWNER:

PROJECT DIRECTOR

P.WE.

[PLAY WITH EVERYTHING]
DESIGN HOUSE

ARCHITECTS

เขมจิรา ณ นคร

ภ-สถ 16584

INTERIOR DESIGNER

STRUCTURAL ENGINEERS

นฤตย์พงษ์ เรืองวัฒนานนท์

ภย.55929

ELECTRICAL ENGINEERS

SANITARY ENGINEERS

PROJECT MANAGER

REVISION

REV.	DATE	REVISION RECORD
01	26/06/2016	

DRAWING TITLE:

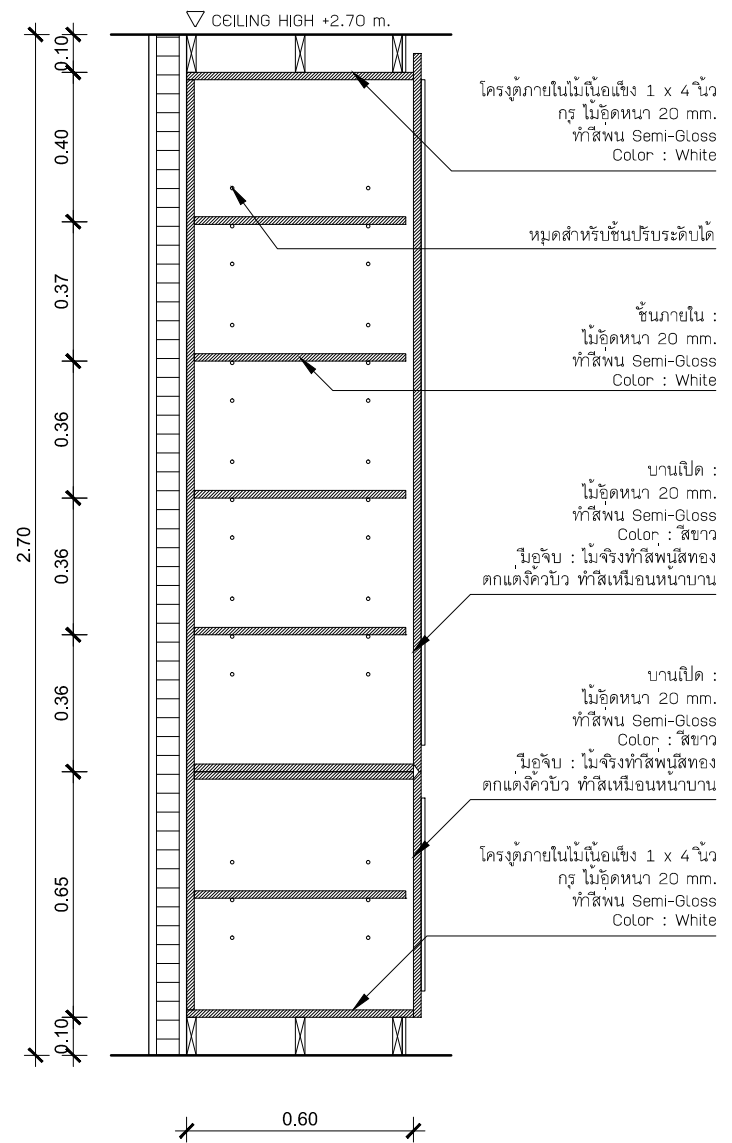
CHECKED BY:

DRAWN BY:
เขมจิรา ณ นคร ภ-สถ 16584

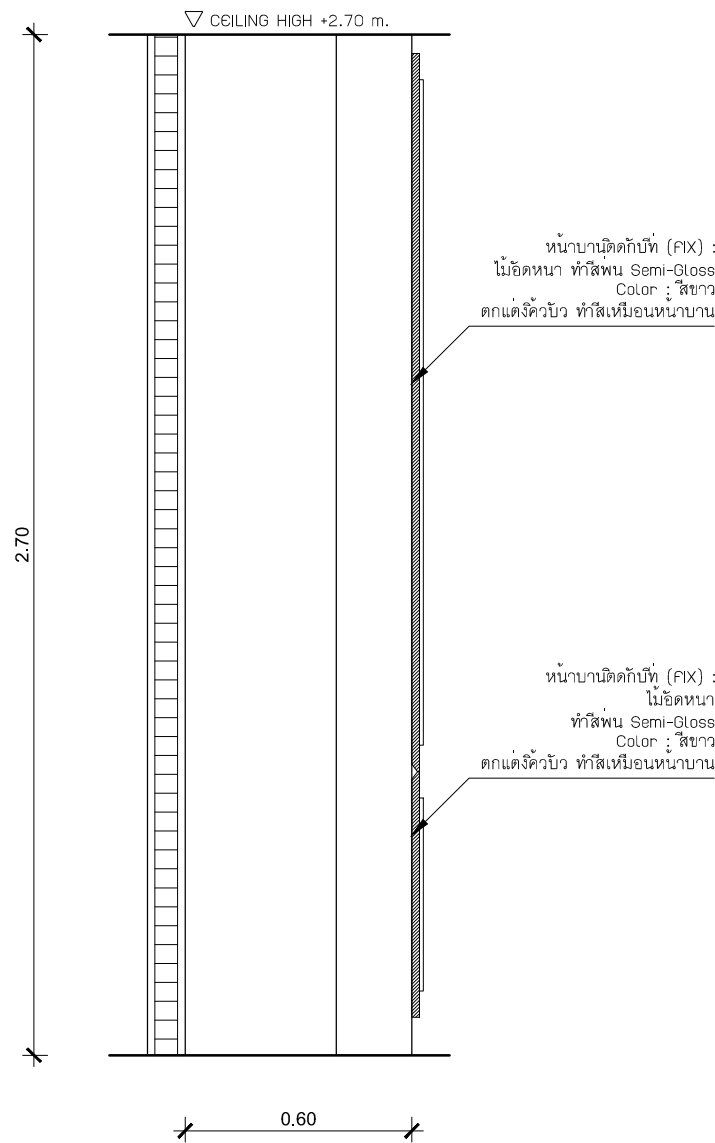
SCALE: 1 : 20 DATE: 10/08/2016

DRAWING NO. TOTAL

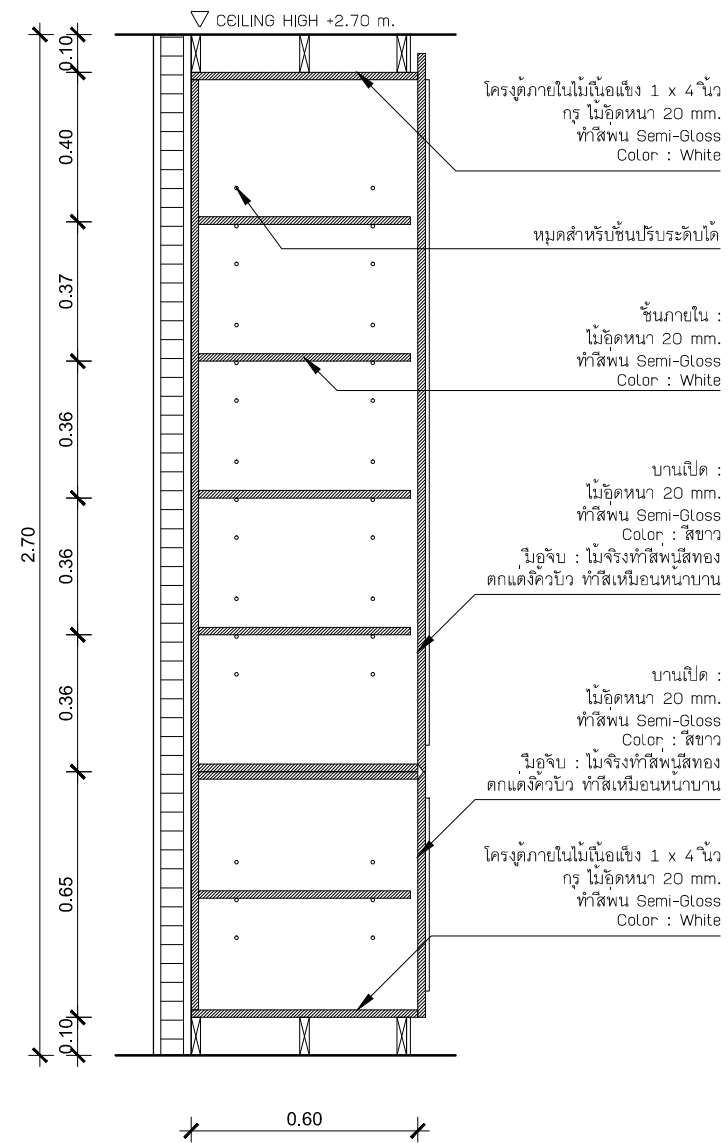
-This drawing shall not be used for construction unless signed "approved".



B3-03 SECTION A
SCALE 1:20



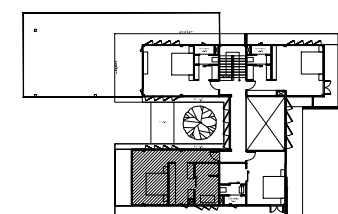
B3-03 SECTION B
SCALE 1:20

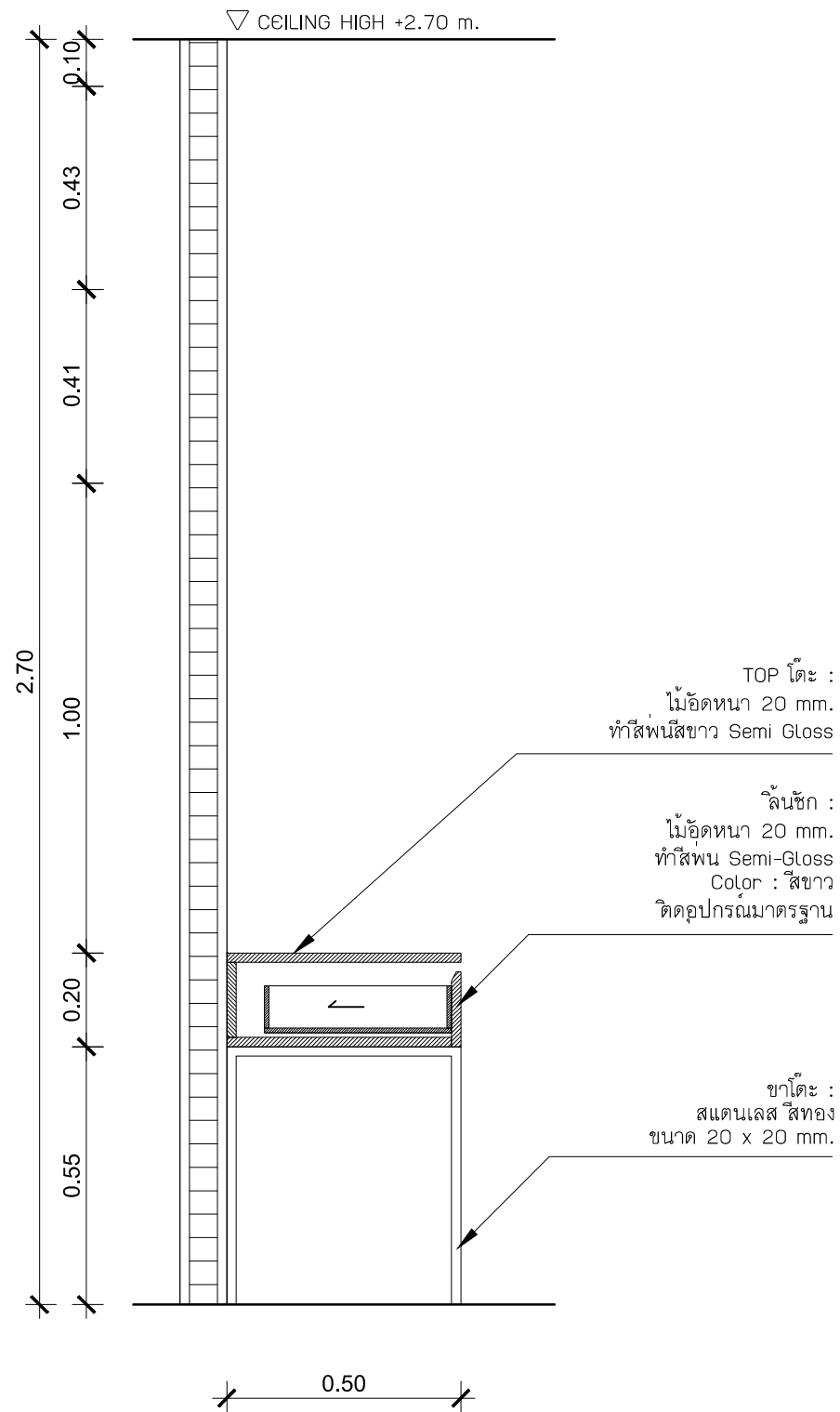


B3-03 SECTION C
SCALE 1:20

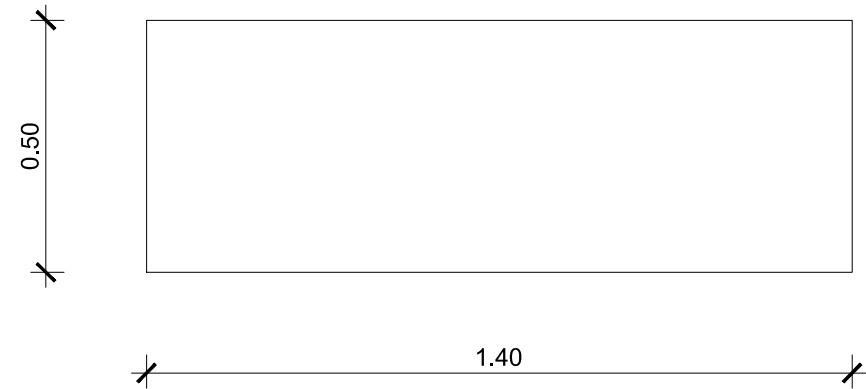
B3-03 ELEVATION
SCALE 1:20

BEDROOM 1 B3-03
SCALE 1:20

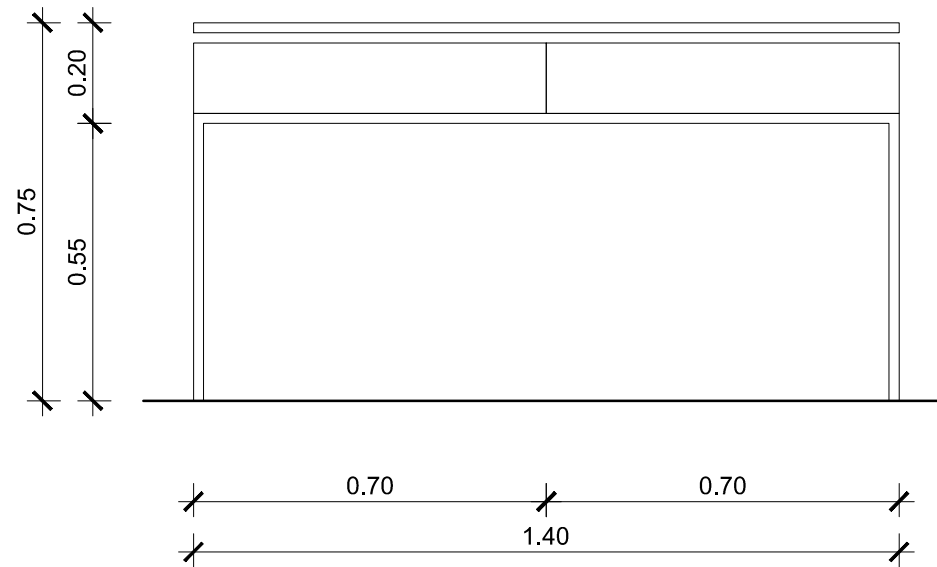




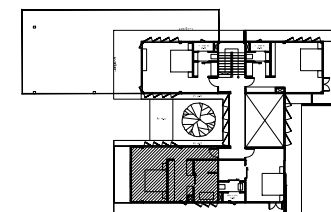
B3-08 SECTION
SCALE 1:20



B3-08 PLAN
SCALE 1:20



B3-08 ELEVATION
SCALE 1:20



BEDROOM 3 B3-08
SCALE 1:15

P.WE.
[PLAY WITH EVERYTHING]
DESIGN HOUSE

PROJECT NAME:
- house

OWNER:

PROJECT DIRECTOR

P.WE.
[PLAY WITH EVERYTHING]
DESIGN HOUSE

ARCHITECTS

เขมจิรา ณ นคร
ภ-สถ 16584

INTERIOR DESIGNER

STRUCTURAL ENGINEERS

นฤตย์พงษ์ เรืองวัฒนานนท์
ภย.55929
ELECTRICAL ENGINEERS

SANITARY ENGINEERS

PROJECT MANAGER

REVISION

REV.	DATE	REVISION RECORD
01	26/06/2016	

DRAWING TITLE:

CHECKED BY:

DRAWN BY:
เขมจิรา ณ นคร ภ-สถ 16584

SCALE: DATE:
10/08/2016

DRAWING NO. TOTAL

-This drawing shall not be used for construction unless signed "approved".

P.WE.
[PLAY WITH EVERYTHING]
DESIGN HOUSE

PROJECT NAME:

- house

OWNER:

PROJECT DIRECTOR

P.WE.
[PLAY WITH EVERYTHING]
DESIGN HOUSE

ARCHITECTS

เขมจิรา ณ นคร
ภ-สถ 16584

INTERIOR DESIGNER

STRUCTURAL ENGINEERS

นฤตย์พงษ์ เรืองวัฒนานนท์
ภย.55929

ELECTRICAL ENGINEERS

SANITARY ENGINEERS

PROJECT MANAGER

REVISION

REV.	DATE	REVISION RECORD
01	26/06/2016	

DRAWING TITLE:

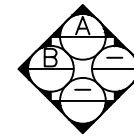
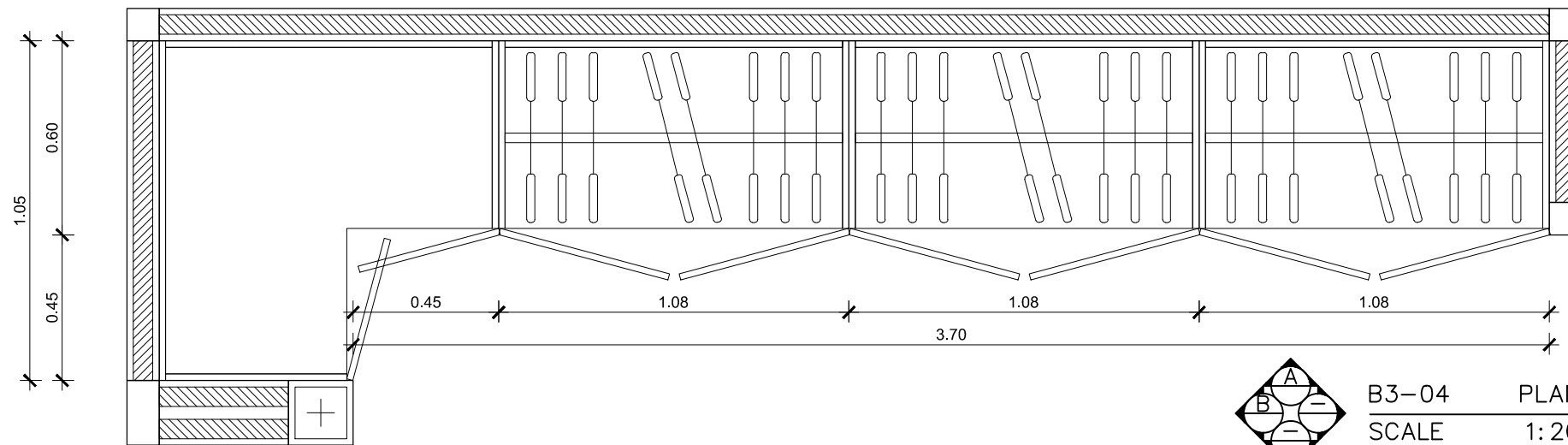
CHECKED BY:

DRAWN BY:
เขมจิรา ณ นคร ภ-สถ 16584

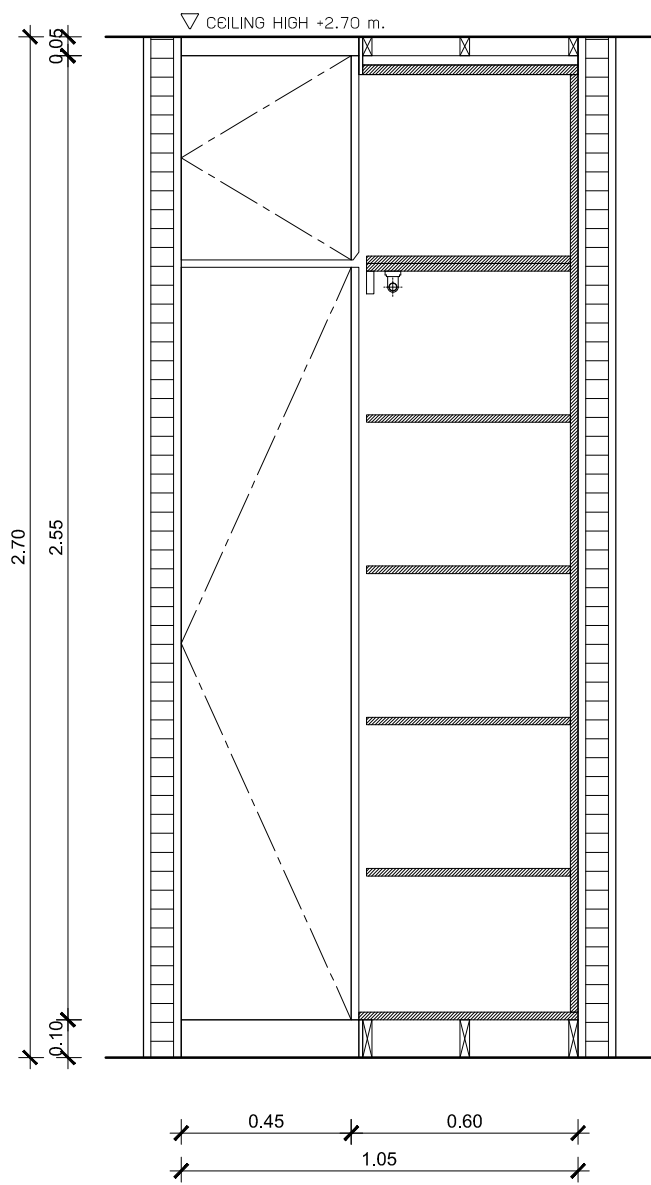
SCALE: 1:20 DATE: 10/08/2016

DRAWING NO. TOTAL

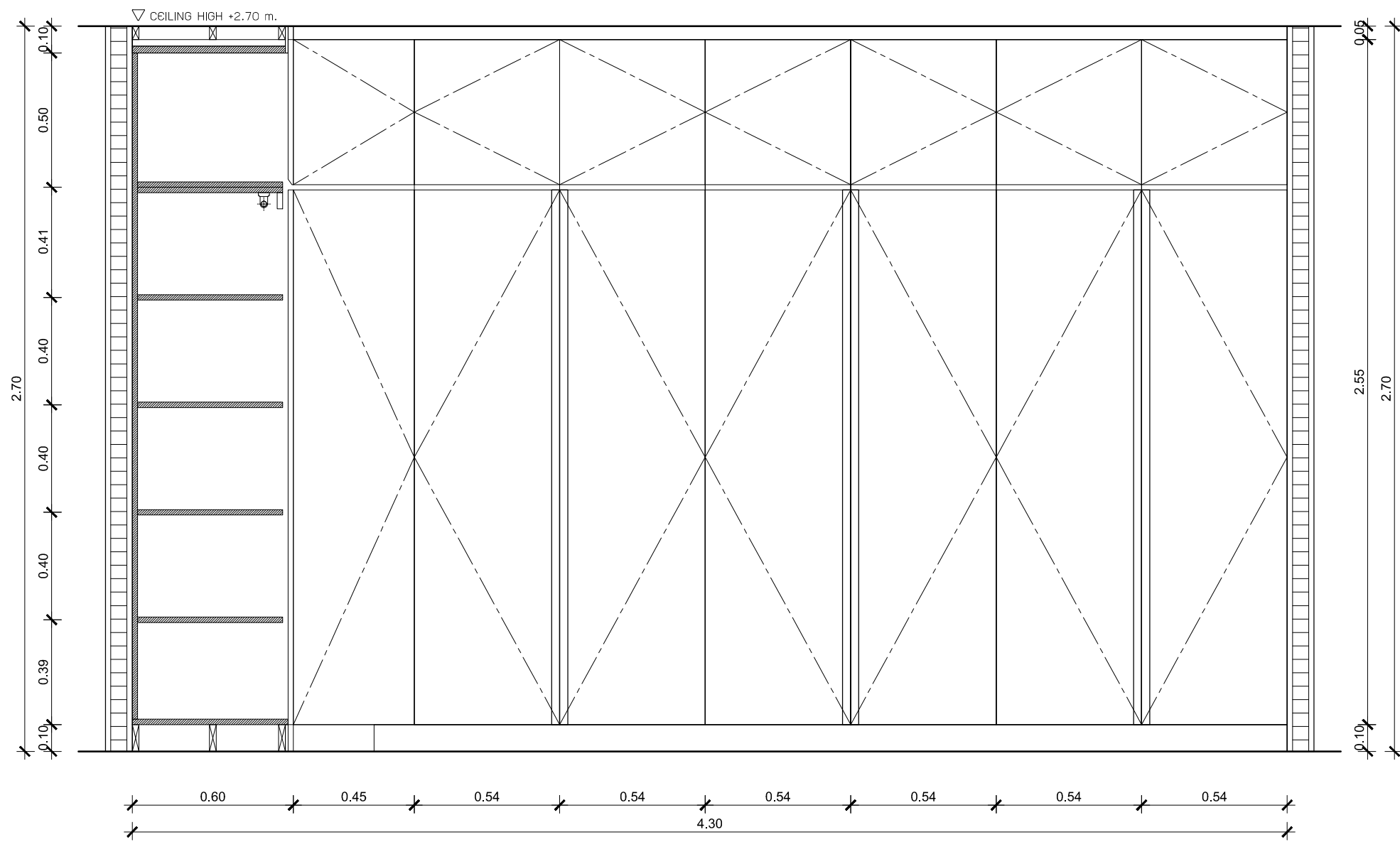
-This drawing shall not be used for construction unless signed "approved".



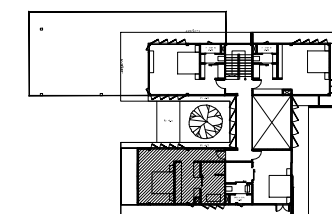
B3-04 PLAN
SCALE 1:20



B3-04 ELEVATION B
SCALE 1:20



B3-04 ELEVATION A
SCALE 1:20



BEDROOM 3 B3-04
SCALE 1:20

PROJECT NAME:

- house

OWNER:

PROJECT DIRECTOR

ARCHITECTS

เชมจิรา ณ นคร
ภ-สถ 16584

INTERIOR DESIGNER

STRUCTURAL ENGINEERS

นฤตย์พงษ์ เรืองวัฒนานนท์
ภย.55929

ELECTRICAL ENGINEERS

SANITARY ENGINEERS

PROJECT MANAGER

REVISION

REV.	DATE	REVISION RECORD
01	26/06/2016	

DRAWING TITLE:

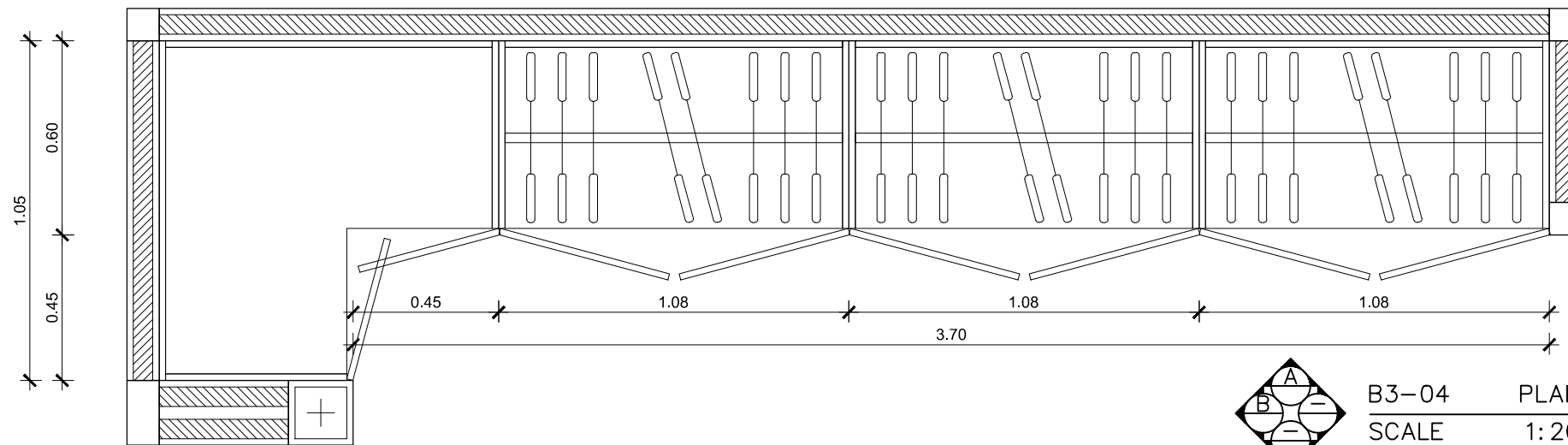
CHECKED BY:

DRAWN BY:
เชมจิรา ณ นคร ภ-สถ 16584

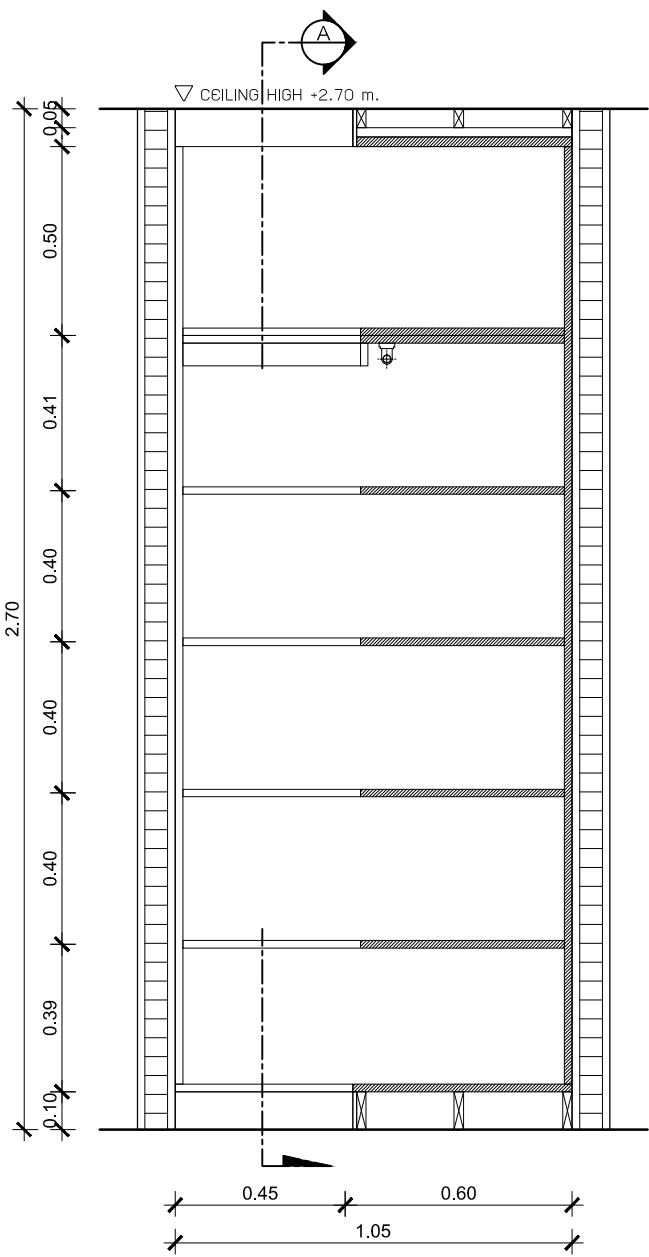
SCALE: 1 : 20 DATE: 10/08/2016

DRAWING NO. TOTAL

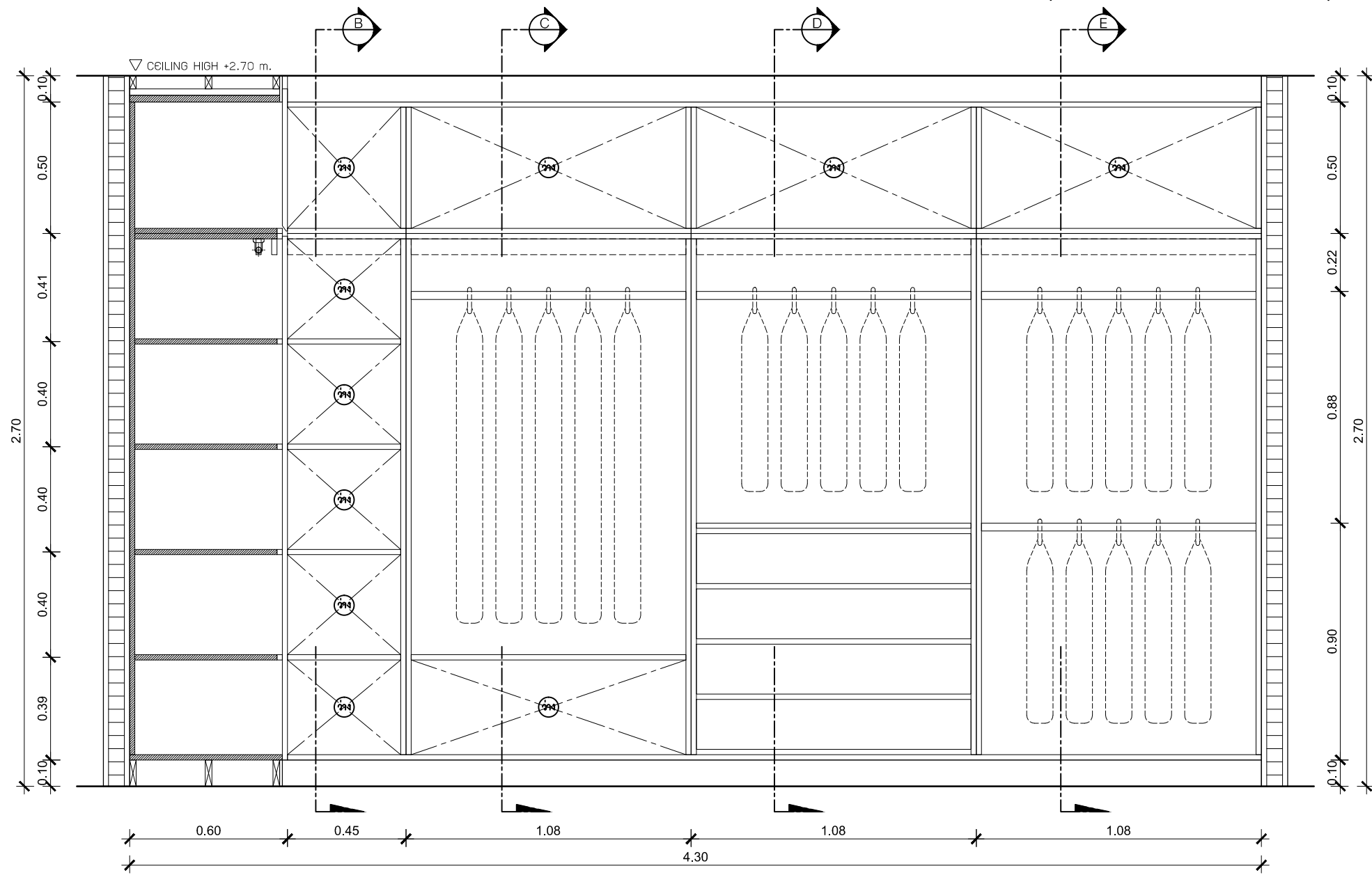
-This drawing shall not be used for construction unless signed "approved".



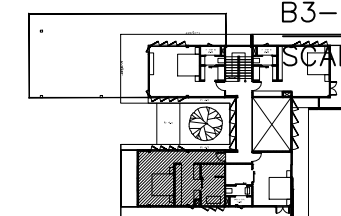
B3-04 PLAN
SCALE 1:20



B3-04 ELEVATION B (INSIDE)
SCALE 1:20



B3-04 ELEVATION A (INSIDE)
SCALE 1:20



BEDROOM 3 B3-04
SCALE 1:20

P.WE.

[PLAY WITH EVERYTHING]
DESIGN HOUSE

PROJECT NAME:

- house

OWNER:

PROJECT DIRECTOR

P.WE.

[PLAY WITH EVERYTHING]
DESIGN HOUSE

ARCHITECTS

เชมจิรา ณ นคร

ภ-สถ 16584

INTERIOR DESIGNER

STRUCTURAL ENGINEERS

นฤตย์พงษ์ เรืองวัฒนานนท์

ภย.55929

ELECTRICAL ENGINEERS

SANITARY ENGINEERS

PROJECT MANAGER

REVISION

REV.	DATE	REVISION RECORD
01	26/06/2016	

DRAWING TITLE:

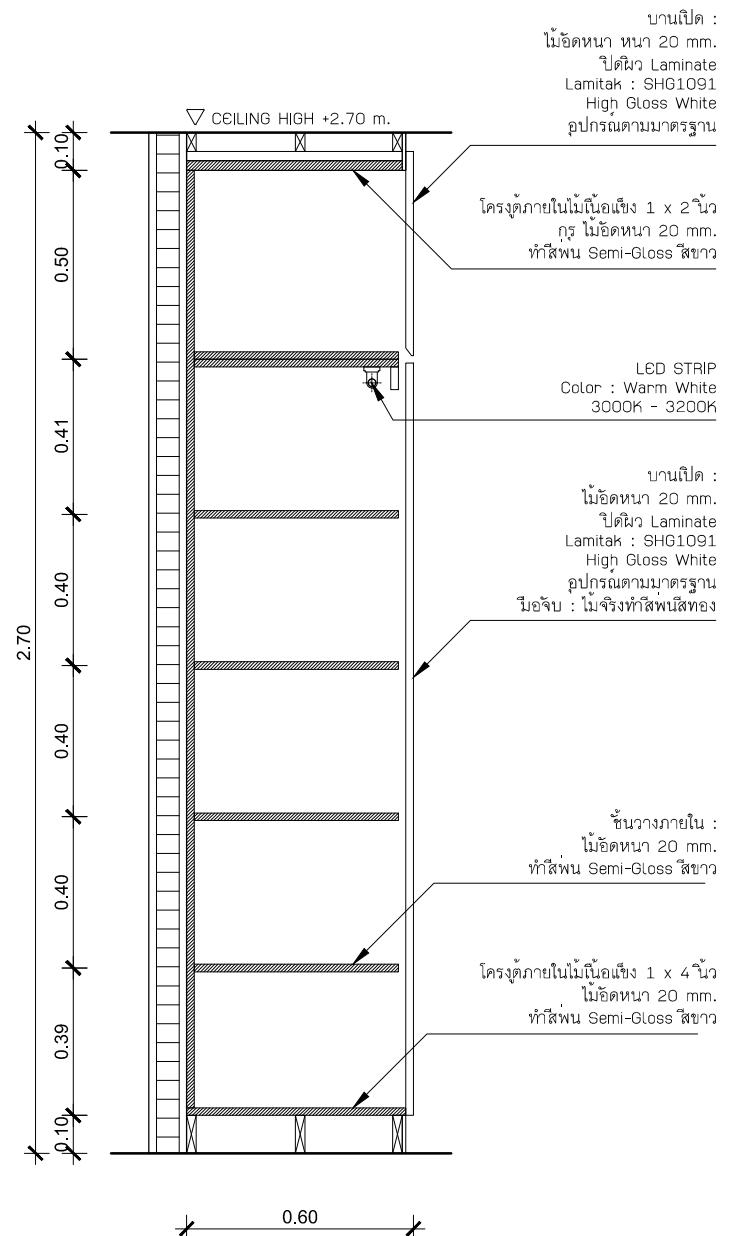
CHECKED BY:

DRAWN BY:
เชมจิรา ณ นคร ภ-สถ 16584

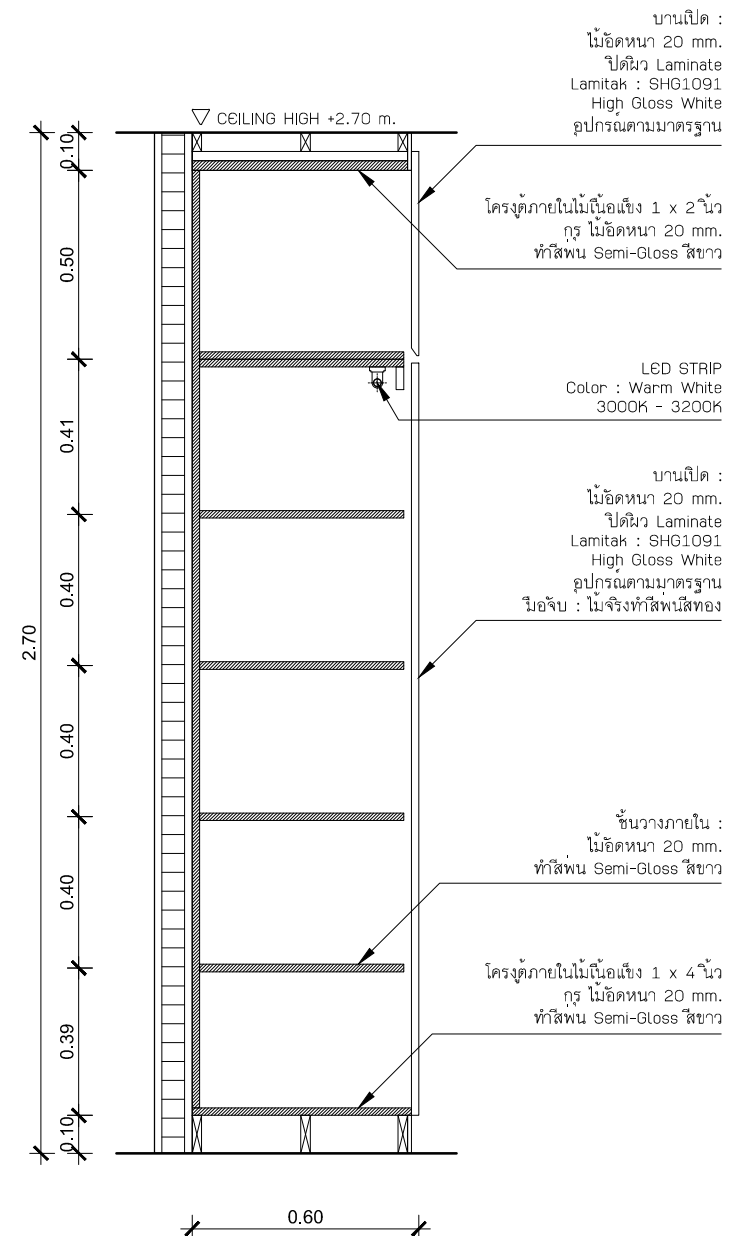
SCALE: 1 : 20 DATE: 10/08/2016

DRAWING NO. TOTAL

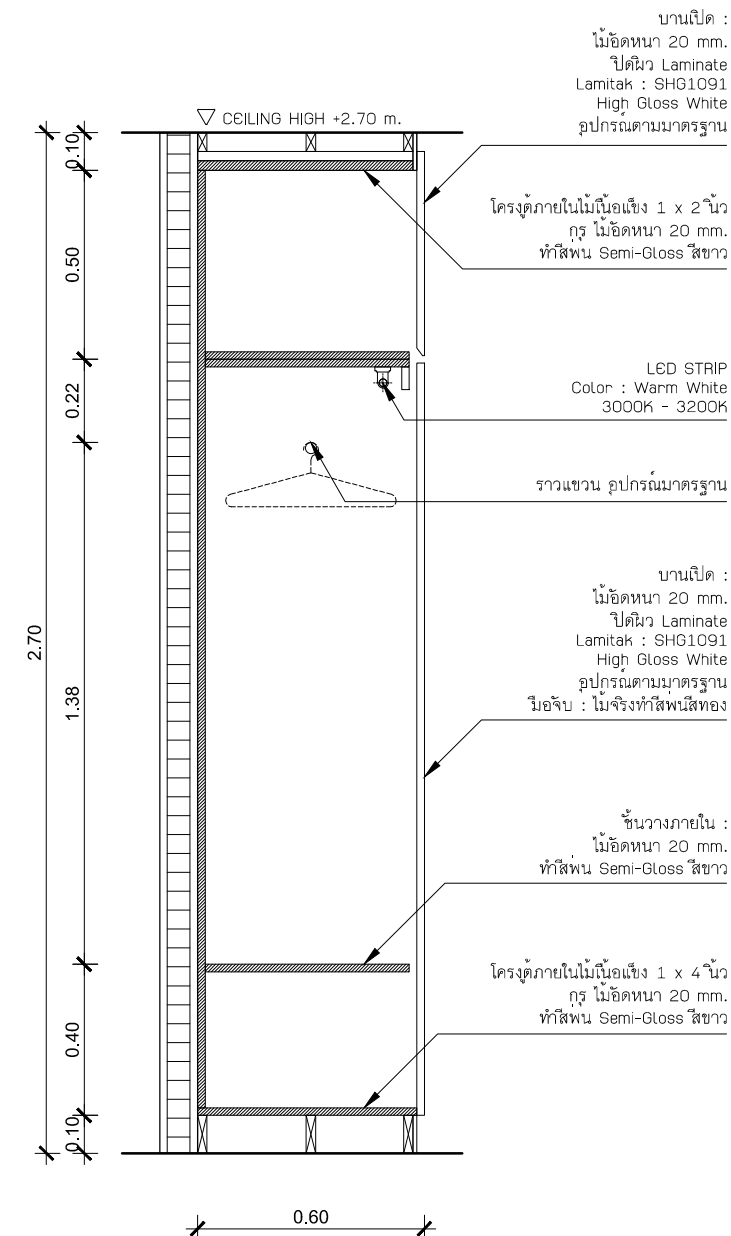
-This drawing shall not be used for construction unless signed "approved".



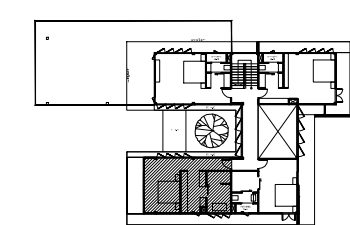
B3-04 SECTION A
SCALE 1:20



B3-04 SECTION B
SCALE 1:20



B3-04 SECTION C
SCALE 1:20



BEDROOM 3 B3-04
SCALE 1:20

P.WE.

[PLAY WITH EVERYTHING]
DESIGN HOUSE

PROJECT NAME:

- house

OWNER:

PROJECT DIRECTOR

P.WE.

[PLAY WITH EVERYTHING]
DESIGN HOUSE

ARCHITECTS

เชมิจรา ณ นคร
ภ-สถ 16584

INTERIOR DESIGNER

STRUCTURAL ENGINEERS

นักตยพงษ์ เรืองวัฒนานนท์
ภย.55929
ELECTRICAL ENGINEERS

SANITARY ENGINEERS

PROJECT MANAGER

REVISION

REV.	DATE	REVISION RECORD
01	26/06/2016	

DRAWING TITLE:

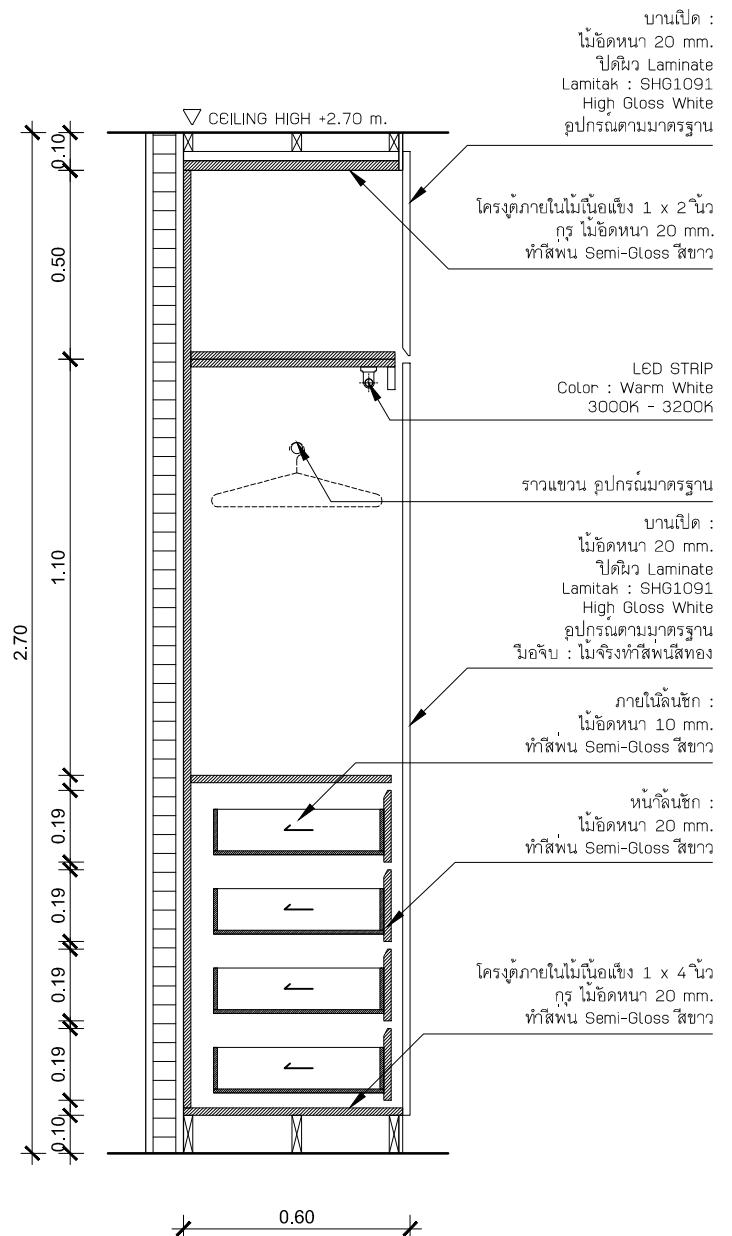
CHECKED BY:

DRAWN BY:
เชมิจรา ณ นคร ภ-สถ 16584

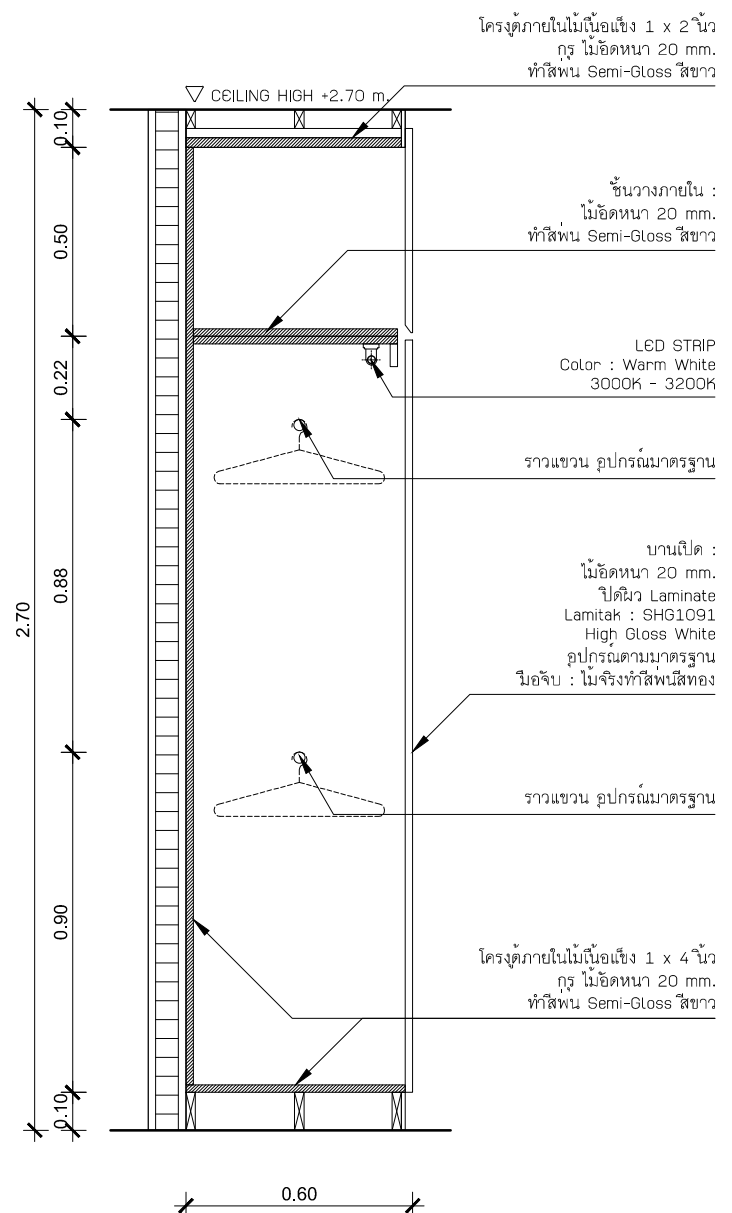
SCALE: 1 : 20 DATE: 10/08/2016

DRAWING NO. TOTAL

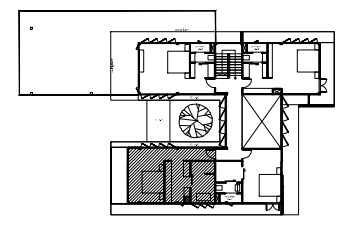
-This drawing shall not be used for construction unless signed "approved".



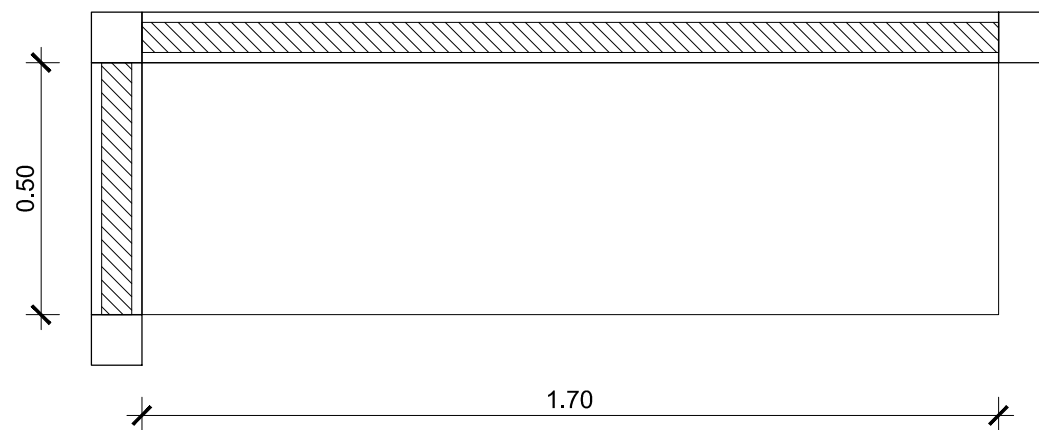
B3-04 SECTION D
SCALE 1:20



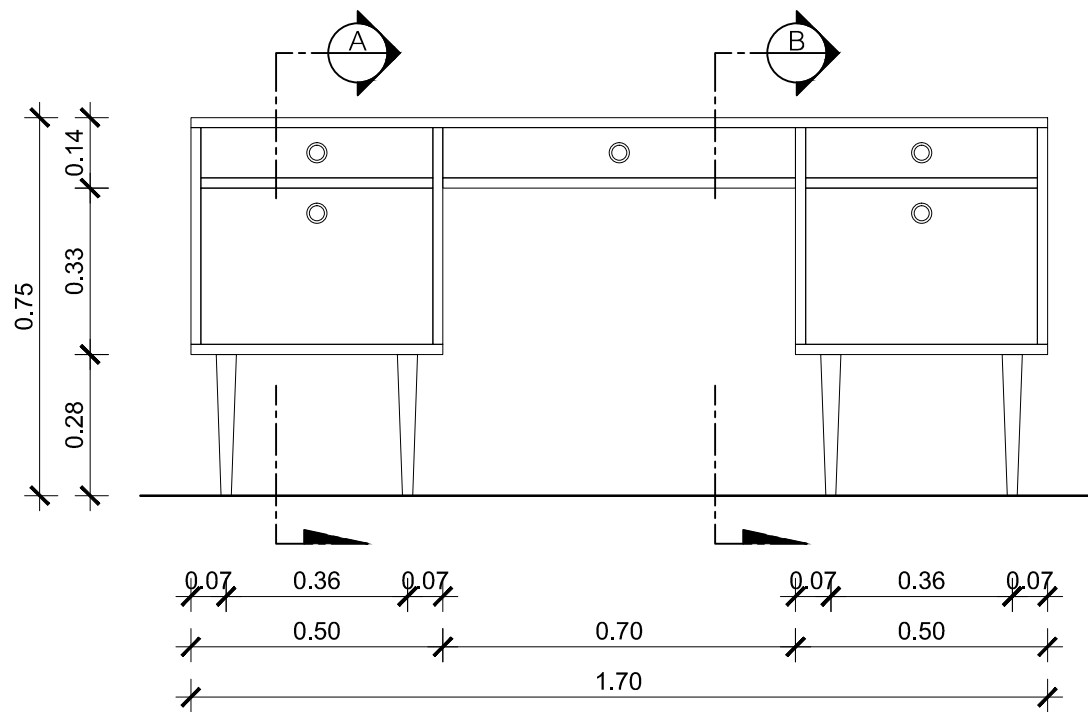
B3-04 SECTION E
SCALE 1:20



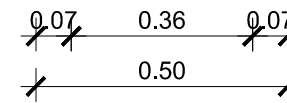
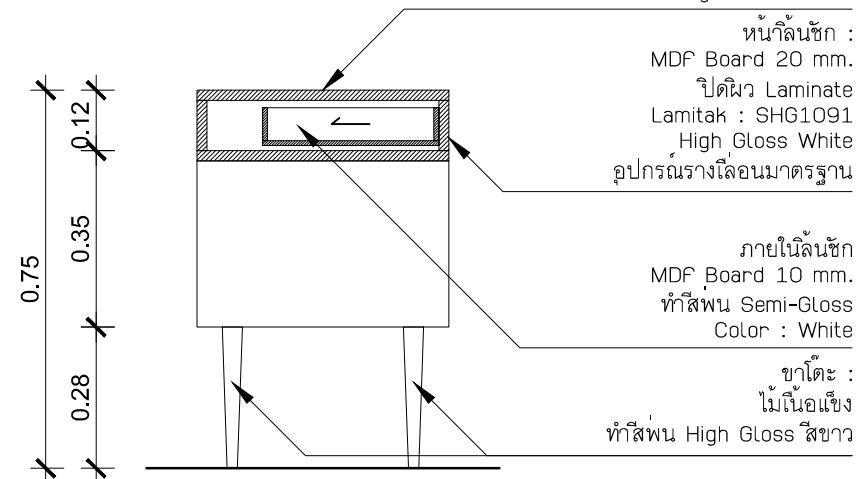
BEDROOM 1 B3-04
SCALE 1:20



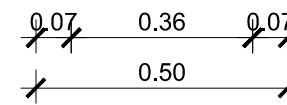
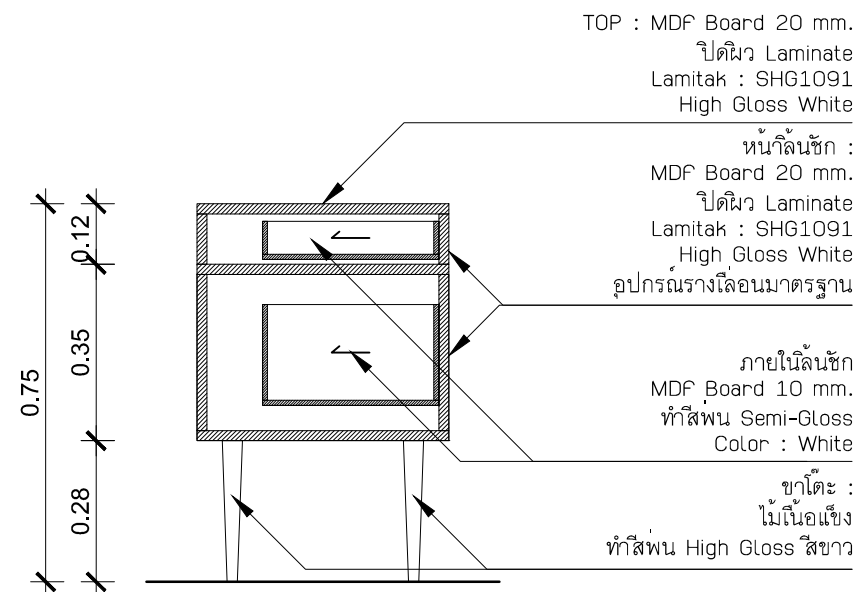
B3-05 PLAN
SCALE 1:15



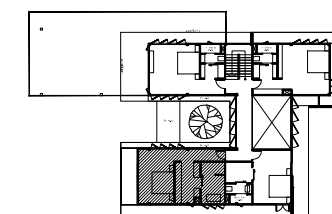
B3-05 SECTION A
SCALE 1:15



B3-05 SECTION A
SCALE 1:15



B3-05 SECTION B
SCALE 1:15



TOP : MDF Board 20 mm.
ปิดผิว Laminate
Lamitak : SHG1091
High Gloss White

หน้าลิ้นชัก :
MDF Board 20 mm.
ปิดผิว Laminate
Lamitak : SHG1091
High Gloss White
อุปกรณ์รางเลื่อนมาตรฐาน

ภายในลิ้นชัก
MDF Board 10 mm.
ทำสีพ่น Semi-Gloss
Color : White

ขาโต๊ะ :
ไม้เนื้อแข็ง
ทำสีพ่น High Gloss สีขาว

TOP : MDF Board 20 mm.
ปิดผิว Laminate
Lamitak : SHG1091
High Gloss White

หน้าลิ้นชัก :
MDF Board 20 mm.
ปิดผิว Laminate
Lamitak : SHG1091
High Gloss White
อุปกรณ์รางเลื่อนมาตรฐาน

ภายในลิ้นชัก
MDF Board 10 mm.
ทำสีพ่น Semi-Gloss
Color : White

ขาโต๊ะ :
ไม้เนื้อแข็ง
ทำสีพ่น High Gloss สีขาว

P.WE.

[PLAY WITH EVERYTHING]
DESIGN HOUSE

PROJECT NAME:

- house

OWNER:

PROJECT DIRECTOR

P.WE.

[PLAY WITH EVERYTHING]
DESIGN HOUSE

ARCHITECTS

เขมจิรา ณ นคร
ภ-สถ 16584

INTERIOR DESIGNER

STRUCTURAL ENGINEERS

นฤตย์พงษ์ เรืองวัฒนานนท์
ภย.55929

ELECTRICAL ENGINEERS

SANITARY ENGINEERS

PROJECT MANAGER

REVISION

REV.	DATE	REVISION RECORD
01	26/06/2016	

DRAWING TITLE:

CHECKED BY:

DRAWN BY:

เขมจิรา ณ นคร ภ-สถ 16584

SCALE:

DATE:

10/08/2016

DRAWING NO.

TOTAL

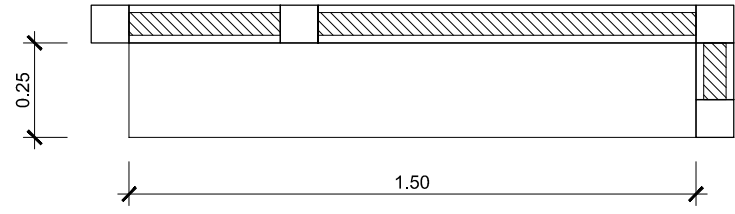
BEDROOM 3

B3-05

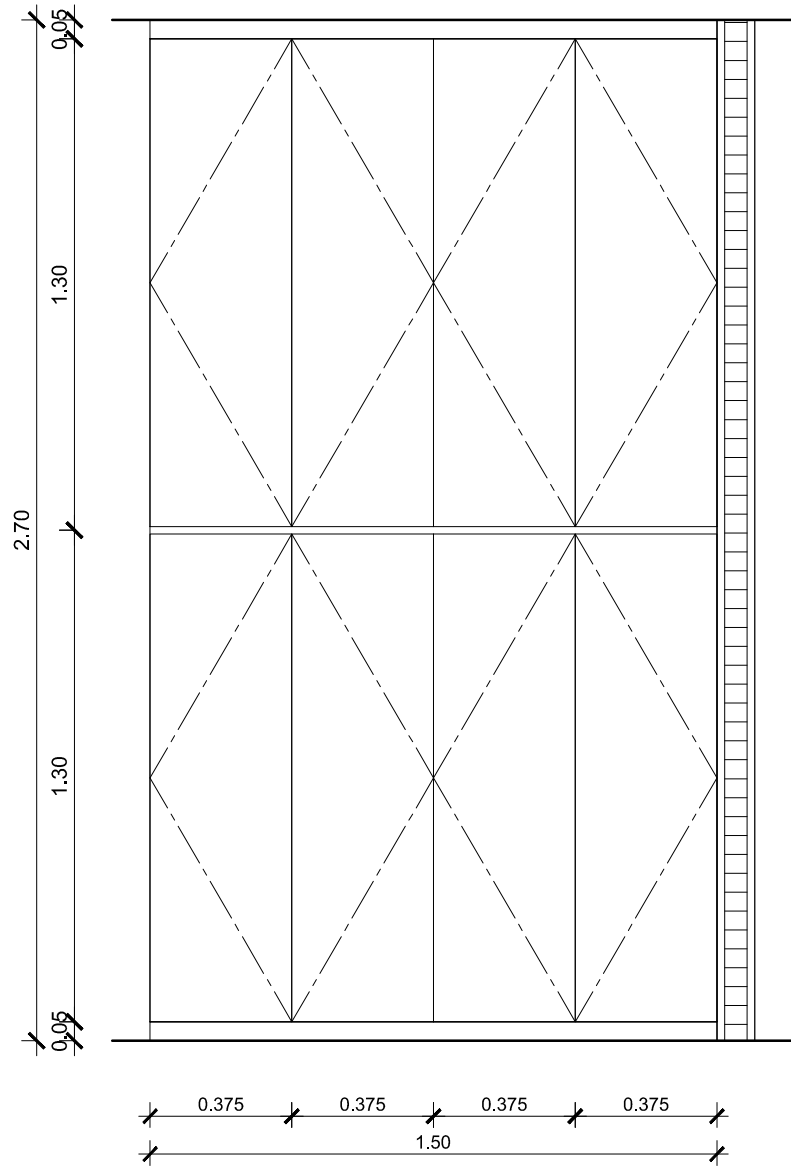
SCALE

1:15

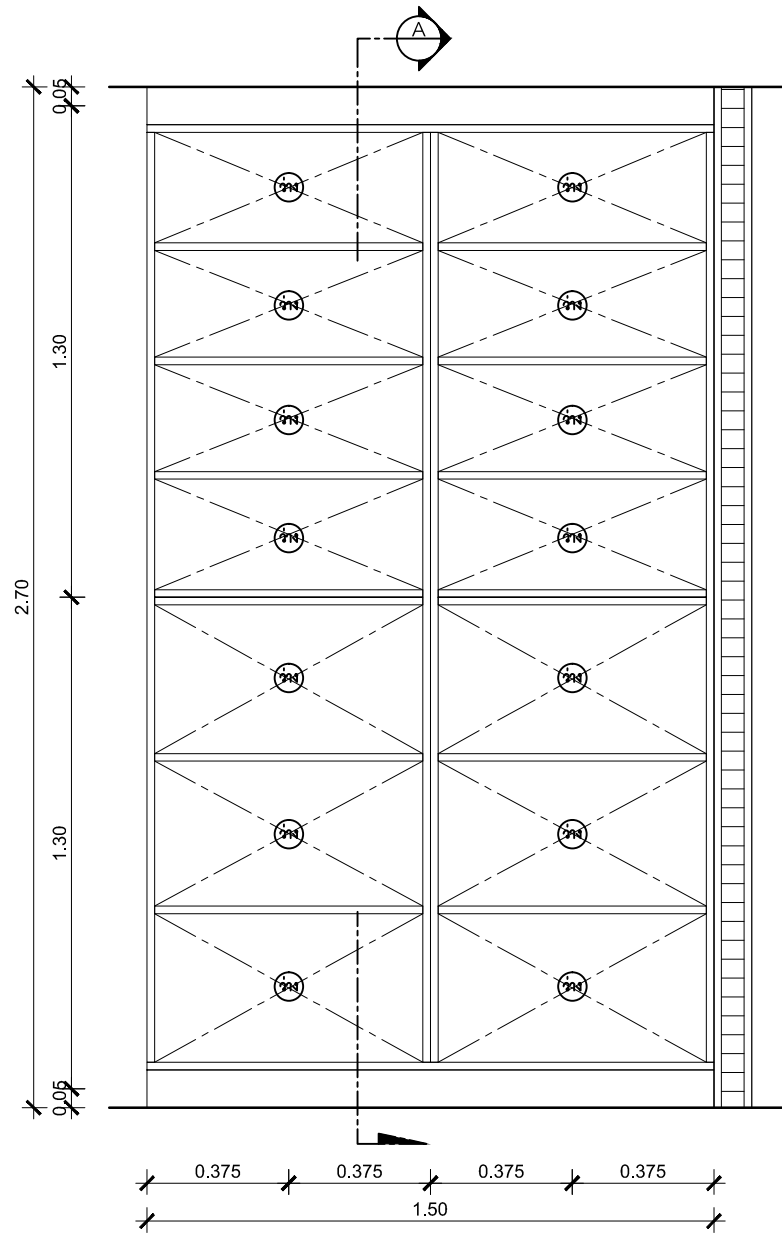
-This drawing shall not be used for construction unless signed "approved".



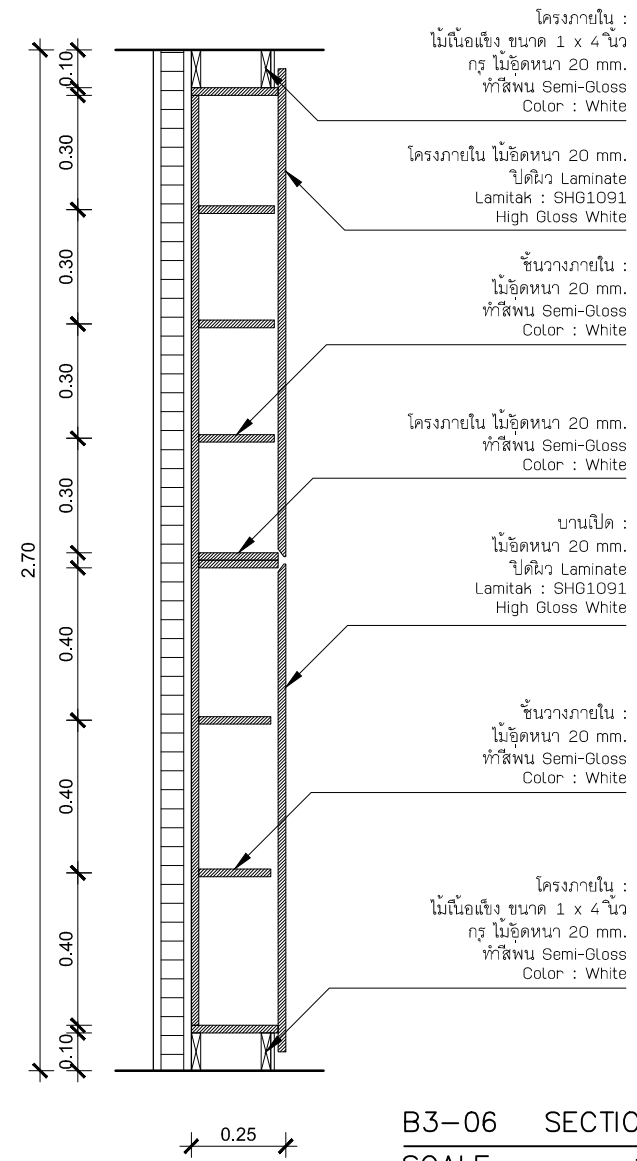
B3-06 PLAN
SCALE 1:20



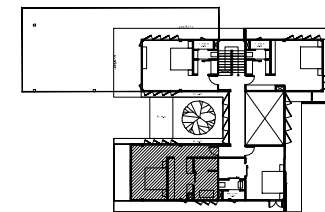
B3-06 ELEVATION
SCALE 1:20



B3-06 ELEVATION (INSIDE)
SCALE 1:20



B3-06 SECTION A
SCALE 1:20



BEDROOM 3 B3-06
SCALE 1:20

P.WE.
[PLAY WITH EVERYTHING]
DESIGN HOUSE

PROJECT NAME:

- house

OWNER:

PROJECT DIRECTOR

P.WE.
[PLAY WITH EVERYTHING]
DESIGN HOUSE

ARCHITECTS

เชมจิรา ณ นคร
ภ-สถ 16584

INTERIOR DESIGNER

STRUCTURAL ENGINEERS

นักตยพงษ์ เรืองวัฒนานนท์
ภย.55929
ELECTRICAL ENGINEERS

SANITARY ENGINEERS

PROJECT MANAGER

REVISION

REV.	DATE	REVISION RECORD
01	26/06/2016	

DRAWING TITLE:

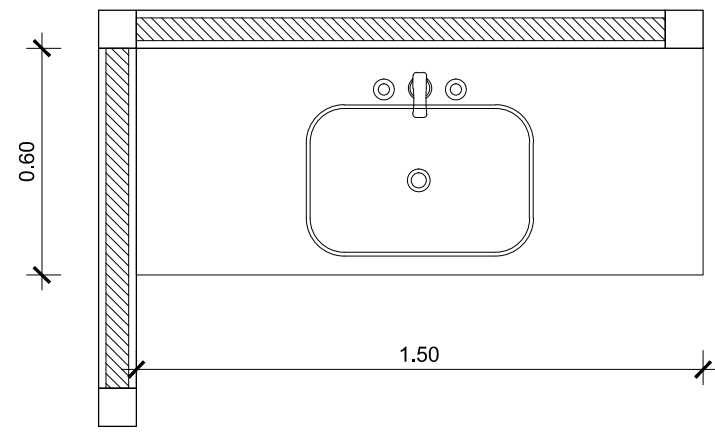
CHECKED BY:

DRAWN BY:
เชมจิรา ณ นคร ภ-สถ 16584

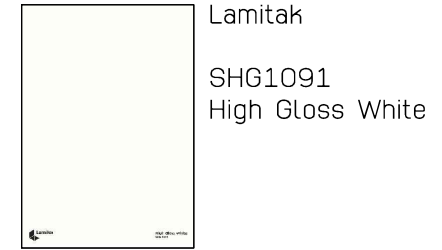
SCALE: DATE:
10/08/2016

DRAWING NO. TOTAL

-This drawing shall not be used for construction unless signed "approved".



B3-07 PLAN
SCALE 1:20



P.WE.
[PLAY WITH EVERYTHING]
DESIGN HOUSE

PROJECT NAME:

- house

OWNER:

PROJECT DIRECTOR

P.WE.
[PLAY WITH EVERYTHING]
DESIGN HOUSE

ARCHITECTS

เชมจิรา ณ นคร
ภ-สถ 16584

INTERIOR DESIGNER

STRUCTURAL ENGINEERS

นฤตย์พงษ์ เรืองวัฒนานนท์
ภย.55929
ELECTRICAL ENGINEERS

SANITARY ENGINEERS

PROJECT MANAGER

REVISION

REV.	DATE	REVISION RECORD
01	26/06/2016	

DRAWING TITLE:

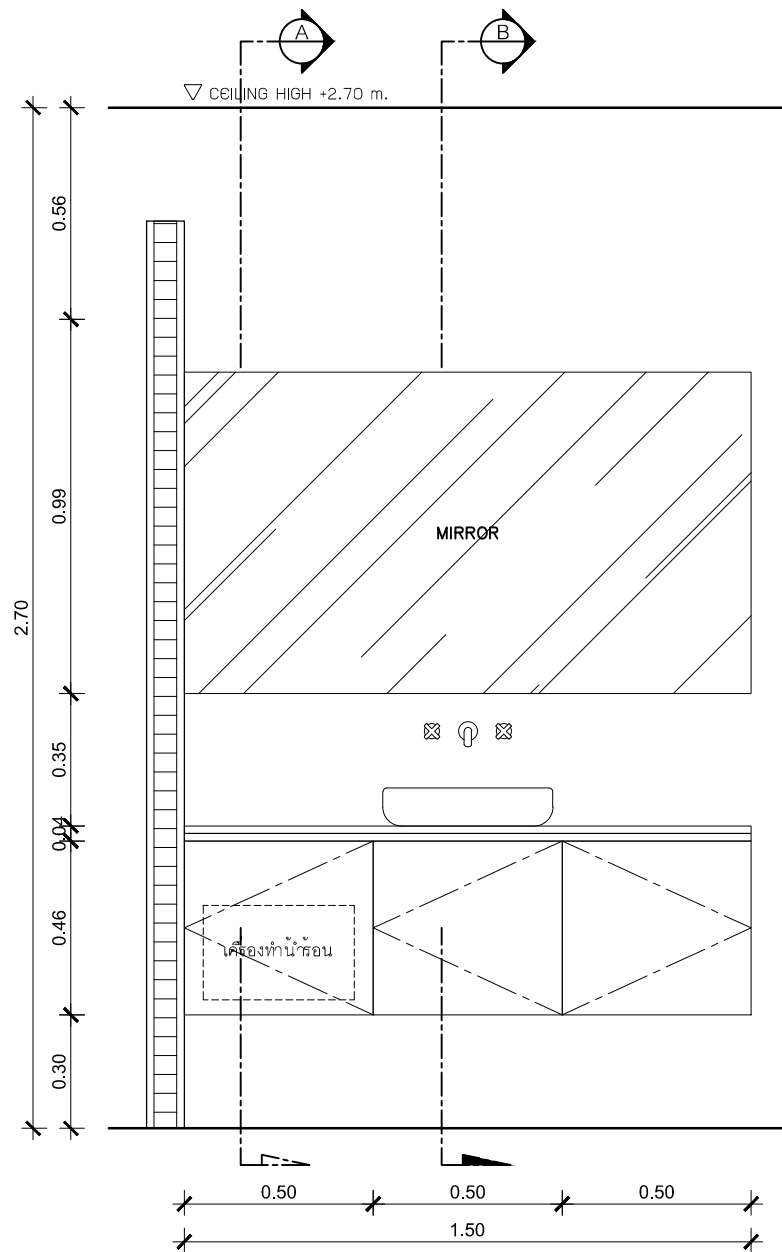
CHECKED BY:

DRAWN BY:
เชมจิรา ณ นคร ภ-สถ 16584

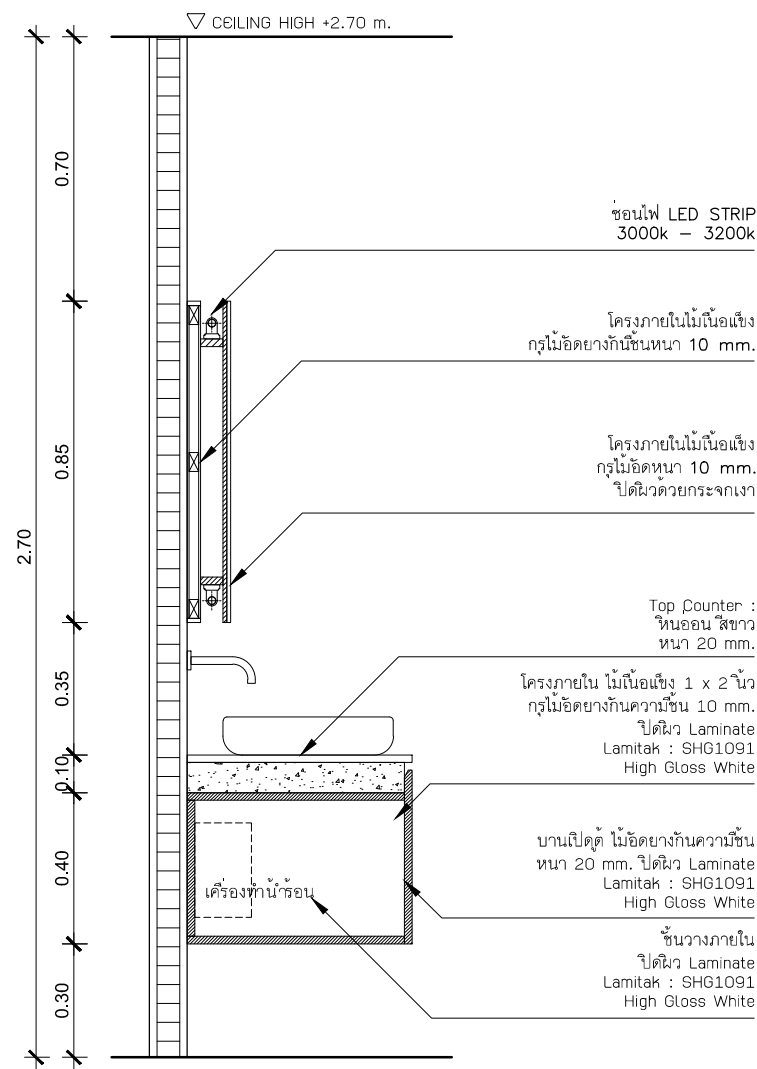
SCALE: DATE:
10/08/2016

DRAWING NO. TOTAL

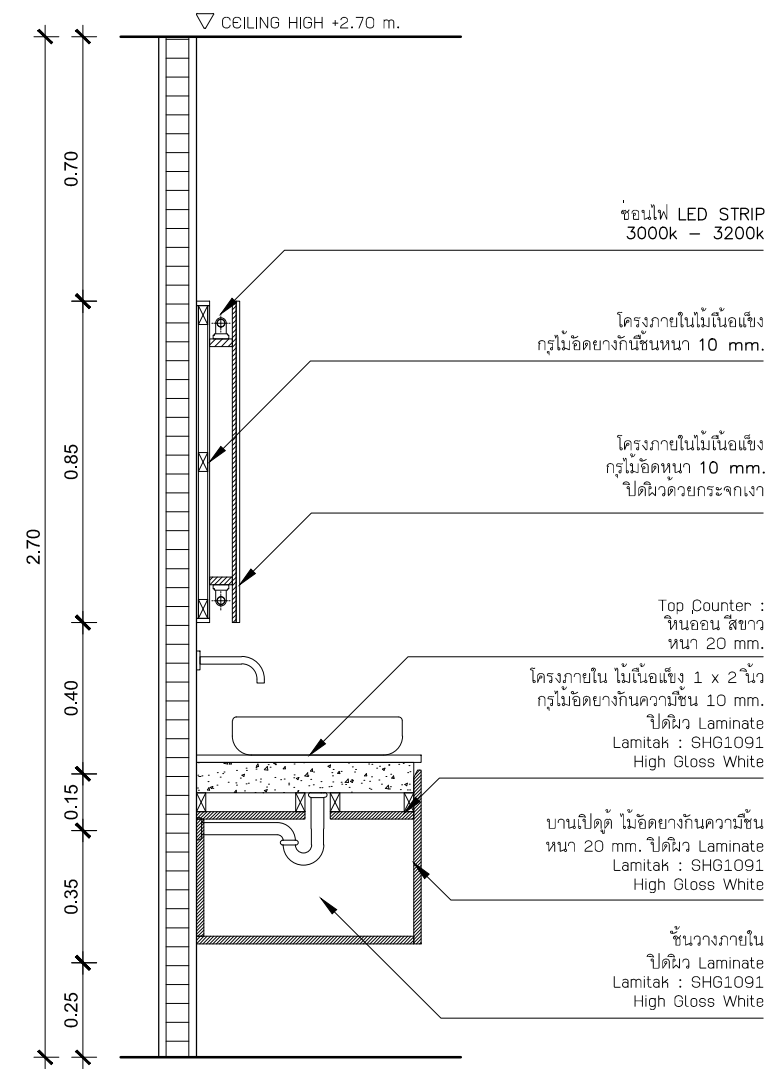
-This drawing shall not be used for construction unless signed "approved".



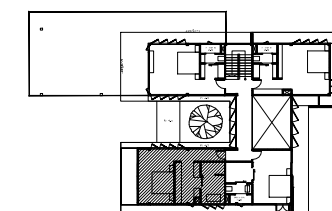
B3-07 ELEVATION
SCALE 1:20



B3-07 SECTION A
SCALE 1:20



B3-07 SECTION A
SCALE 1:20



BEDROOM 3 B3-07
SCALE 1:20