

# FORTH Electronic 3-Phase Active Meter, CT Connection Model GEM-310AMR(CT)

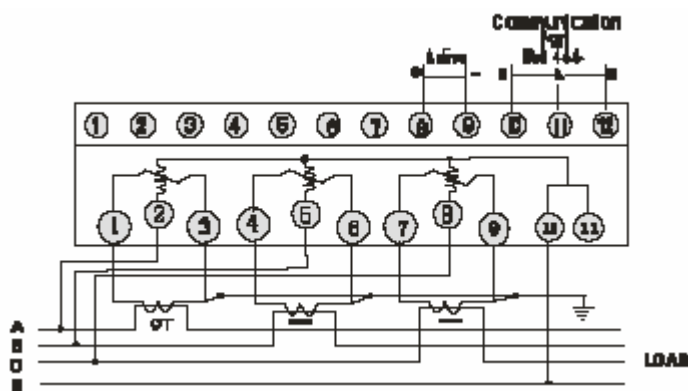
FORTH has designed the GEM-310AMR(CT) to be able to link into the AMR system thru PC by using a billing software.

## Technical Specifications:

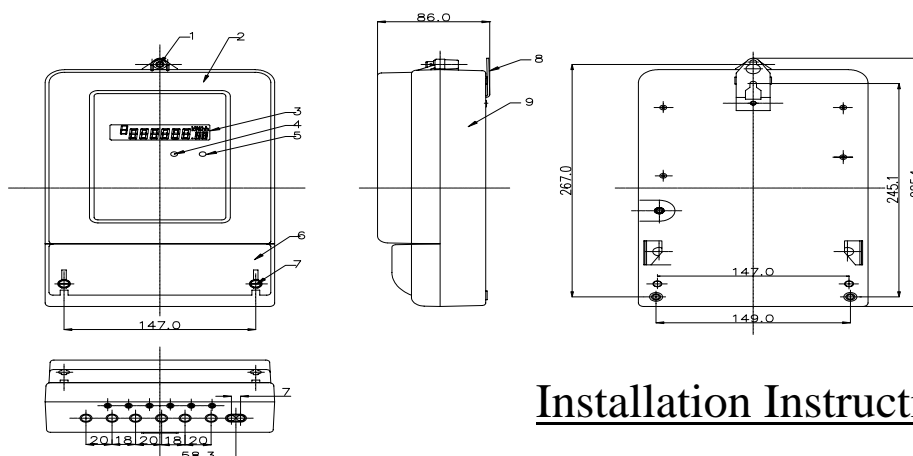
Phase/wire connection	: three-phase 4-wire
Rated current	: 2.5(10)A, CT connected
Rated voltage	: 3 x 220(380)V
Accuracy	: class 1 (IEC 62053-21)
Reference frequency	: 50 Hz
Consumption	
- voltage circuit	: $\leq 1.0w$
- current circuit	: $\leq 1.0VA$
Starting current	: 0.4% Ib
Constant	: 1600 imp/kWh
Communication	: RS485 Interface
Operating temperature	: -25°C to +65°C
Dimension	: 285mm x 175mm x 89.5mm



Full display



Connection diagram



Installation Instruction