

- Column construction, stainless steel.
- Hermetically sealed, IP68.
- Suitable for truck scales, track scales, hopper scales, and other electronic weighing devices.

Capacity	Accuracy	Part-Number
10t	C3	BM14K-C3-10t-12B6
15t	C3	BM14K-C3-15t-12B6
20t	C3	BM14K-C3-20t-12B6
30t	C3	BM14K-C3-30t-12B6
40t	C3	BM14K-C3-40t-20B6
50t	C3	BM14K-C3-50t-20B6
60t	C3	BM14K-C3-60t-20B6
100t	C3	BM14K-C3-100t-20B6



Specification:

Accuracy class		OIML R60 C3	
Output sensitivity	mV/V	¹⁾ 2.0 ± 0.02	
Maximum capacity (E _{max})	t	10, 15, 20, 30, 40, 50,	60, 100
Maximum number of load cell intervals (n _{LC})		3000	
Ratio of minimum LC verification interval Y = E _{max} / V _{min}	E _{max}	7000	9000
Combined Error	%FS	± 0.0200	
Minimum dead load	kg	0	
Safe overload	%FS	150	
Zero balance	%FS	< ± 1.0	
Excitation, recommended voltage	V	5 ~ 12 DC	
Excitation maximum	V	18 DC	
Terminal resistance, input	Ω	¹⁾ 700 ± 7	
Terminal resistance, output	Ω	¹⁾ 700 ± 7	
Insulation impedance	MΩ	≥5000 (50VDC)	
Temperature range, compensated	°C	-10~+40	
Temperature range, operating	°C	-35 ~ +65	
Element material		Stainless steel	
Protection class		IP68	
Cable Length (6 wire)	m	12 (40,50,60,100t = 20m)	

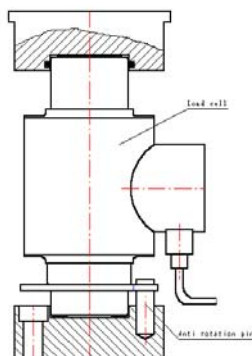
Connections:	Green Input(+) Yellow Sense(+)	Black Input(-) Blue Sense (-)	White Output(+) Transparence (Shield)	Red Output(-)
---------------------	---	--	--	----------------------

1) Output is current calibrated

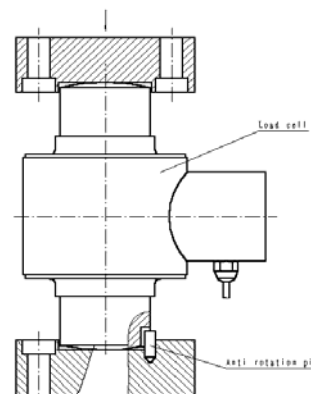
Load introduction

Structure 1:

Not available in the following countries: D, UK, F, IT, NL



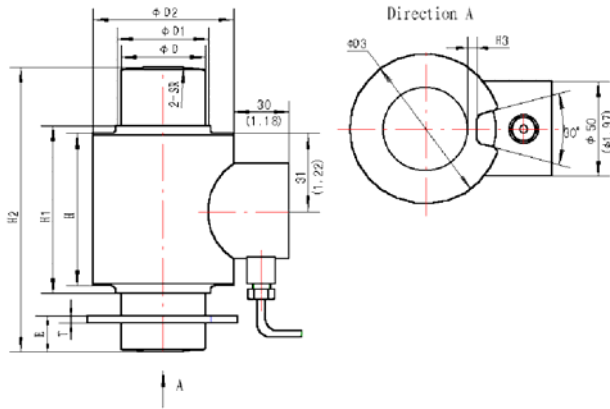
Structure 2 (W version):



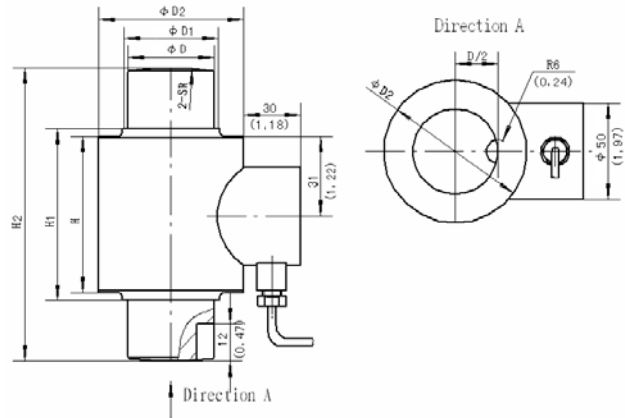
Outline Dimensions in mm(inches)

Structure 1:

Not available in the following countries: D, UK, F, IT, NL



Structure 2 (W version):



Structure 1:

Capacity / Size mm (inch)	D	D1	D2	D3	E	H	H1	H2	H3	T	SR
10t, 15t	44 (1.73)	49 (1.93)	74 (2.91)	76 (2.99)	12 (0.47)	80 (3.15)	88 (3.46)	130 (5.12)	5 (0.20)	3 (0.12)	110 (4.33)
20t					130 (5.12)						
30t					19 (0.75)	92 (3.62)	100 (3.94)	150 (5.91)			160 (6.30)
40t					210 (8.27)	180 (7.06)					
50t, 60t					220 (8.66)						
100t	64 (2.52)	68 (2.68)	93 (3.66)	103 (4.06)	121 (4.76)	128 (5.04)	260 (10.24)	7 (0.28)	5 (0.20)	290 (11.42)	

Structure 2:

Capacity / Size (mm) (inch)	D	D1	D2	D3	H	H1	H2	SR
10t, 15t	44 (1.73)	49 (1.93)	74 (2.91)	76 (2.99)	80 (3.15)	88 (3.46)	130 (5.12)	110 (4.33)
20t					130 (5.12)			
30t					92 (3.62)	100 (3.94)	150 (5.91)	160 (6.30)
40t					210 (8.27)	180 (7.06)		
50t, 60t					220 (8.66)			
100t	64 (2.52)	68 (2.68)	93 (3.66)	103 (4.06)	121 (4.76)	128 (5.04)	260 (10.24)	290 (11.42)