

Capacity	Accuracy	Part-Number
50 kg	C3	BM3-C3-50kg-6B
100 kg	C3	BM3-C3-100kg-6B
150 kg	C3	BM3-C3-150kg-6B
200 kg	C3	BM3-C3-200kg-6B
250 kg	C3	BM3-C3-250kg-6B
0.5 t	C3	BM3-C3-0.5t-3B
1 t	C3	BM3-C3-1t-6B
2 t	C3	BM3-C3-2t-6B
3 t	C3	BM3-C3-3t-6B
4 t	C3	BM3-C3-4t-6B
5 t	C3	BM3-C3-5t-6B
6 t	C3	BM3-C3-6t-6B
7.5 t	C3	BM3-C3-7.5t-6B





- Hermetically sealed load cell IP68
- Tension and compression applications
- Suitable for hanging and hopper scales and other weighing devices
- Stainless steel 17-4PH



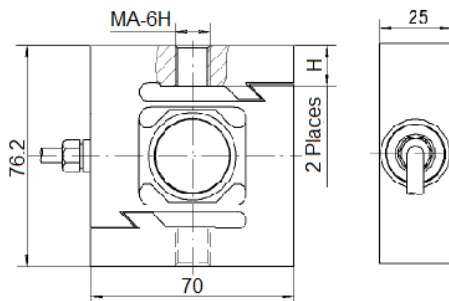
Specifications:

Accuracy class		C3	OIML R60 C3
Output sensitivity (= FS)	mV/V	2.0 ± 0.008	2.0 ± 0.004
Maximum capacity (E _{max})	t	0.05 ¹ , 0.1 ¹ , 0.15 ¹ , 0.2 ¹ , 0.25 ¹	0.5, 1, 2, 3, 4, 5, 6, 7.5
Maximum number of load cell intervals (n _{LC})		3000	
Ratio of minimum LC verification interval Y		7500	12000
Minimum Dead Load Output Return (Z = ½ * E _{max} / DR)		3000	
Combined Error	%FS	≤ ± 0.0200	
Minimum dead load	kg	0	
Safe overload	of E _{max}	150 %	
Ultimate overload	of E _{max}	300 %	
Zero balance	of FS	< ± 1.5 %	
Excitation, recommended voltage	V	5 ~ 12	
Excitation maximum	V	18	
Terminal resistance, input	Ω	350 ± 3	
Terminal resistance, output	Ω	350 ± 3	
Insulation impedance	MΩ	≥ 5000 (at 50VDC)	
Temperature range, compensated	°C	-10 ~ +40	
Temperature range, operating	°C	-35 ~ +65	
Element material		Stainless steel	
Ingress Protection (according to EN 60529)		IP68	
ATEX classification (optional)		II1G Ex ia II1C T4	II1D Ex iaD 20 T73°C II3G nL IIC T4

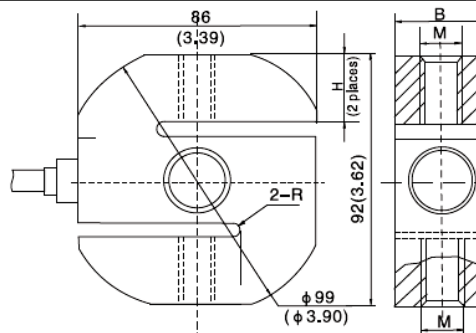
Note 1: These capacities are not OIML approved

Outline Dimensions in mm (inch)

Capacity	MA	H
50, 100kg	M8	13
150, 250kg	M12x1,75	14

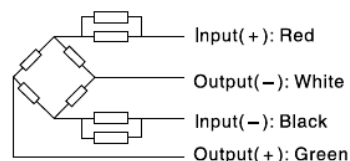


Capacity	0.5	1.0	2.0	3.0	4.0	5.0	6.0	7.5
Dimension B	32(1,26)	32(1,26)	32(1,26)	32(1,26)	36(1,42)	50(1,97)	50(1,97)	50(1,97)
M	M12x1,75	M12x1,75	M20x1,5	M20x1,5	M20x1,5	M24x2	M24x2	M24x2
H	25(0,98)	25(0,98)	25(0,98)	25(0,98)	25(0,98)	24(0,94)	24(0,94)	24(0,94)



Wiring:

- Shielded, 4 conductor cable: φ 5mm.
- Standard cable length: all 6m, except 500kg (3m).
- Cable type and cable length for customer's own application are available on request.
- Shield not connected to element.



Please visit our website WWW.ZEMIC.NL for the most actual information

Nr. 2011.06 BM3 Rev4